

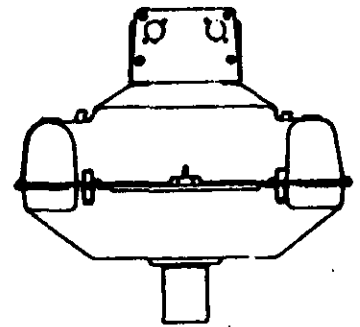
BALLAST HOUSING
FOR EU AND OU
REFLECTOR ASSEMBLIES

INSTALLATION INSTRUCTIONS FOR TRIBAY SERIES Ballast Housing Section

A COMPLETE FIXTURE CONSISTS OF
A BALLAST HOUSING SECTION AND A
REFLECTOR ASSEMBLY. SEE ACCOMPANYING
CHART FOR APPROVED
FIXTURE ASSEMBLY COMBINATIONS



SEE WARNINGS ON CARTON



BALLAST HOUSING FOR
SW, LM, WA2, WD, WA5
REFLECTOR ASSEMBLIES

WARNINGS

- Install, operate, and maintain to meet all applicable codes.
- Selected ballast voltage must match supply voltage. Protect all unused lead ends with approved insulators.
- Handle and secure so fixture cannot fall.

CAUTION - To reduce the **RISK OF FIRE** when using an open bottom reflector or refractor, **DO NOT INSTALL A LAMP MARKED FOR USE IN ENCLOSED LUMINAIRES ONLY (E-code)**. Follow all lamp manufacturer's recommended instructions.

GENERAL INFORMATION

- Minimum projection of customer supply leads should be 6 in. (152.4mm).
- All conduit entries are tapped 3/4-14 NPS.
- Plug all unused entries into Quik-Zone™ mounting box.
- Use a waterproof pipe joint compound for all entries into mounting box for wet location fixtures.
- For wet location fixtures supplied with cord and plug, the customer's receptacle must be weatherproof, suitable for wet locations.

PENDANT MOUNTING - FIGURE 1

1. Thread Quik-Zone™ mounting box (1) fully onto 3/4-14 NPS conduit.
2. Orient mounting box as desired.
3. Tighten set-screw (2).
4. Attach reflector. Use reflector installation instruction sheet.
5. Go to "Ballast Housing Mounting".

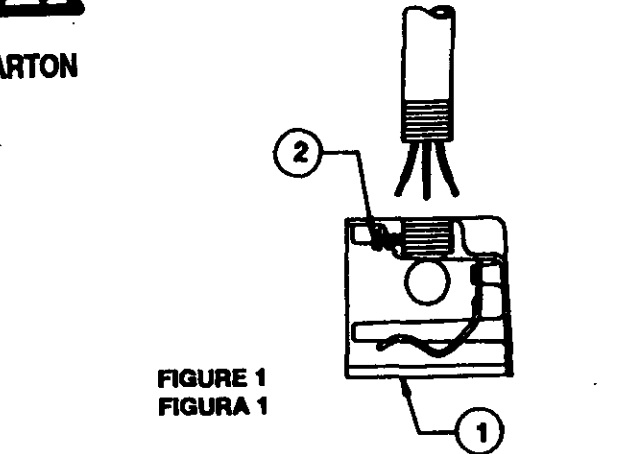


FIGURE 1
FIGURA 1

FLAT CEILING MOUNTING - FIGURE 2

1. Drill four 5/16 in. (7.9mm) holes in top of Quik-Zone™ mounting box (1) (see cast-in drill spots).
2. Secure mounting box with four 1/4 in. (6.3mm) min fasteners (3) (by others).
3. Thread 3/4-14 NPS conduit into side hubs of mounting box.
4. Install suitable bushings (4) (by others).
5. Attach reflector. Use reflector installation instruction sheet.
6. Go to "Ballast Housing Mounting".

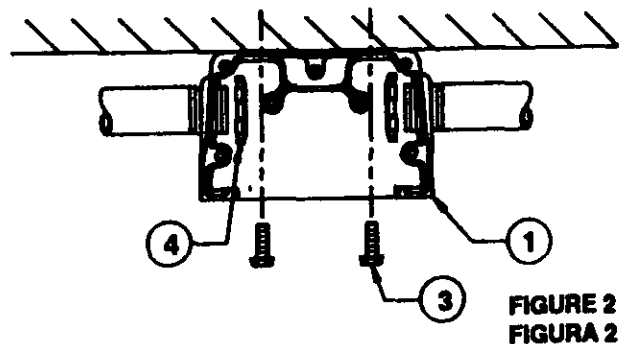


FIGURE 2
FIGURA 2

BALLAST HOUSING MOUNTING - FIGURE 3

1. Slide ballast housing (5) into secured Quik-Zone™ mounting box (1).
2. Make wiring connections.
3. Push wires and connectors into mounting box.
4. Attach mounting cover (6) with four screws (7).
5. Use reflector installation instruction sheet to finish fixture assembly.

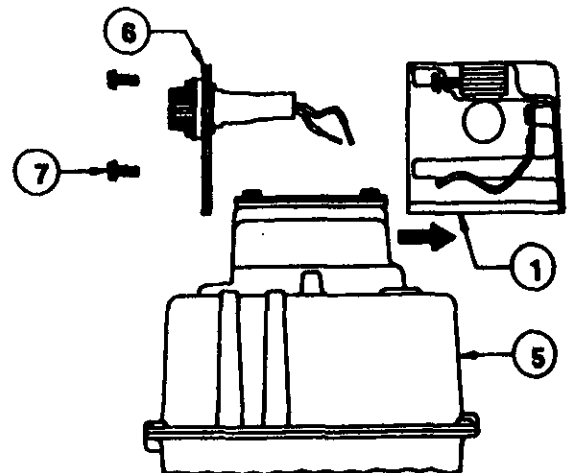


FIGURE 3
FIGURA 3



Hubbell Lighting, Inc.
A Subsidiary of Hubbell Incorporated
2000 Electric Way
Christiansburg, VA 24073-2500
(540) 382-6111
FAX (540) 382-1526

268-0903-9901
REV. B