

# INSTALLATION INSTRUCTIONS FOR WIREGUARD

WG-19

WG-23

## WARNING

Handle and secure so guard cannot fall.

## GENERAL INSTRUCTION - FIGURE 1

1. Install screw (1) and nut (2) through holes in bent out poles (3) on guard (4) as shown.

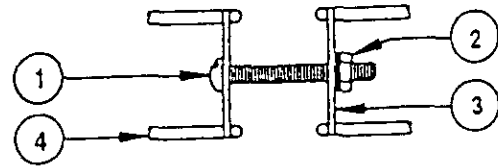


FIGURE 1  
FIGURA 1

## INSTALLATION OF GUARD TO A REFLECTOR - FIGURE 2

1. Spread and raise guard over reflector flange (5).
2. Check to make sure the bent inward ends (6) on the wire guard go over the reflector flange to prevent disengagement.
3. Tighten screws (1) to clamp guard on reflector. Do not overtighten and distort the reflector opening.
4. Test for security.
5. Reflector can be relamped without removing wire guard.

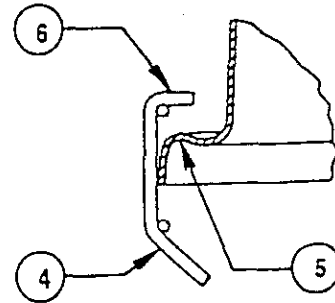


FIGURE 2  
FIGURA 2

## INSTALLATION OF GUARD TO A REFLECTOR WITH A LENS ASSEMBLY IN PLACE - FIGURE 3 AND 4

1. Orient the clamps on the guard approximately 90° from the hinge bracket (8) location on the reflector flange.
2. Spread and raise the guard over the reflector flange (5) and over the lens ring spring latches (7) holding the lens assembly (10) in place.
3. Place the top ring (9) of the wire guard inside the open loop of the lens ring spring latches as shown.
4. Tighten screws (1) to clamp guard on reflector.
5. Test for security.
6. The guard must be removed for relamping.

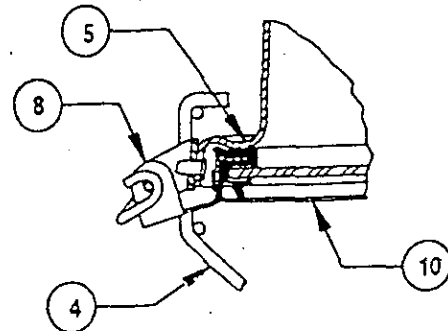


FIGURE 3  
FIGURA 3

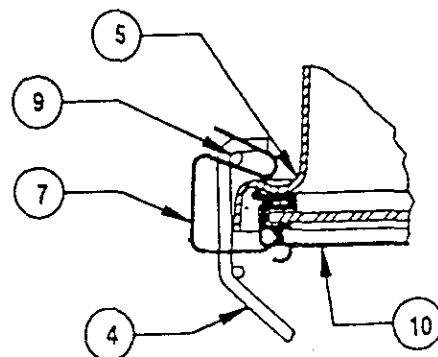


FIGURE 4  
FIGURA 4



Hubbell Lighting, Inc.  
A Subsidiary of Hubbell Incorporated  
2000 Electric Way  
Christiansburg, VA 24073-2500  
(540) 382-6111  
FAX (540) 382-1526

Original Drawing

268-1153-9901