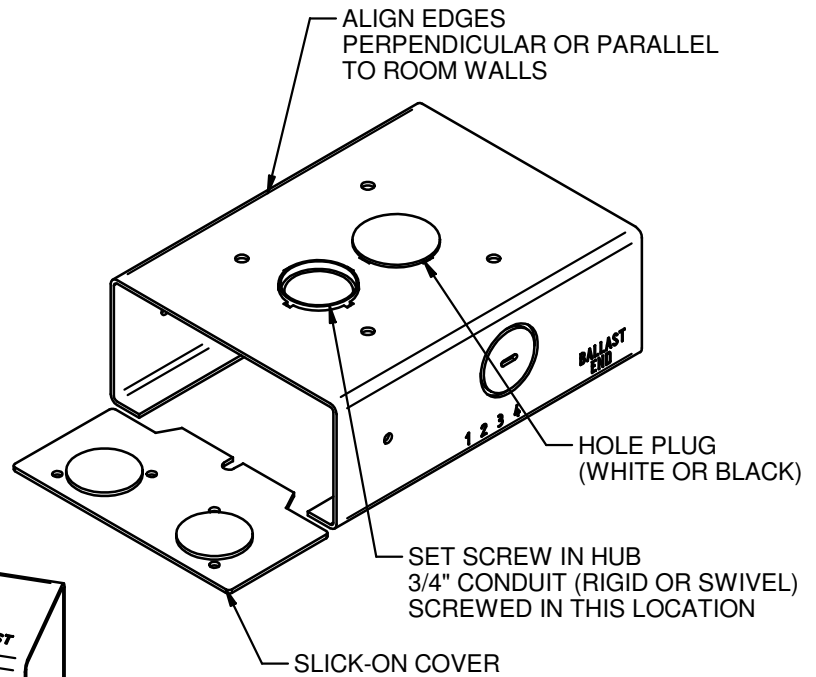
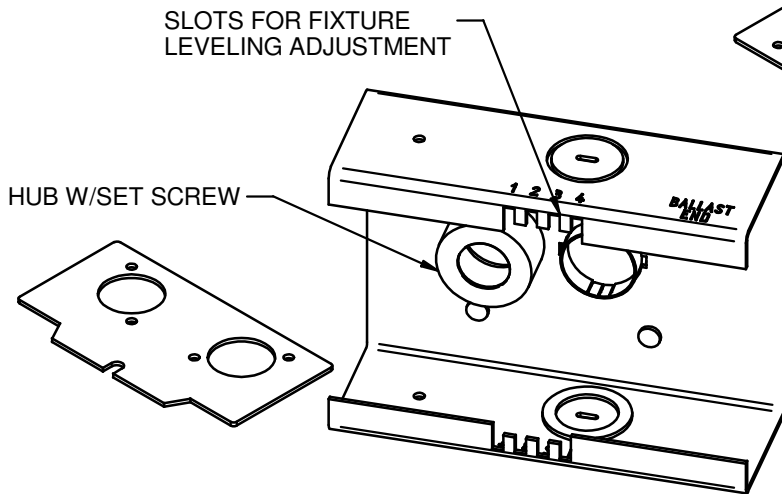


INSTRUCTIONS FOR BL / BLA1000 FIXTURES WITH SLICK-ON BRACKET

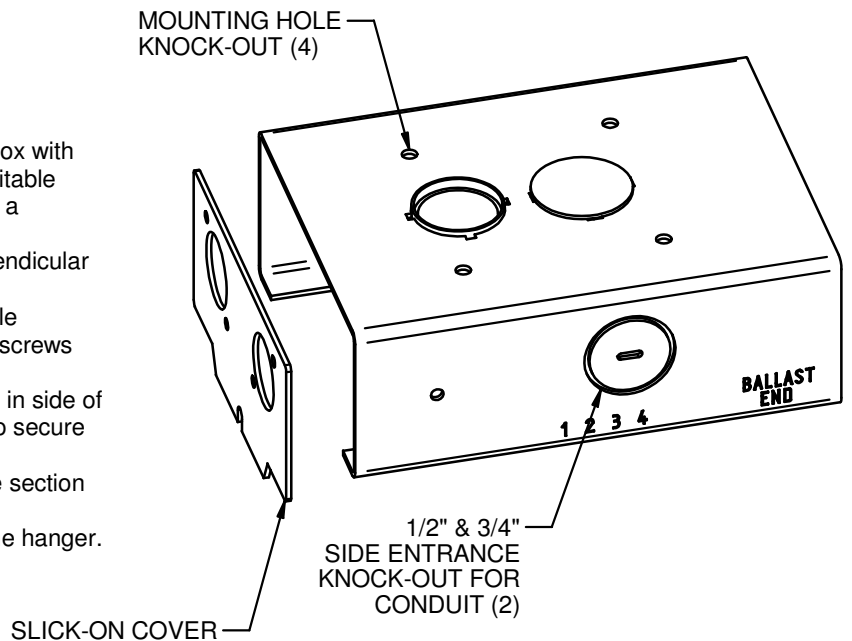
MOUNT SLICK-ON (SO) TO RIGID OR SWIVELING 3/4" CONDUIT:

1. Thread SO hanger onto conduit.
2. Orient SO so that the body is parallel (||) or perpendicular (⊥) to room walls.
3. Tighten set screw to secure hanger.
4. Pull supply wires and ground. Extend them 4-6" below hanger opening.
5. Store SO hanger covers across the turned in ledges. Tape in place, if necessary.



MOUNT SLICK-ON (SO) TO CEILING OR JUNCTION BOX:

1. Attach SO hanger to 3-1/2" dia. B.C. rigidly mounted, J-Box with (4) screws (not furnished) or place SO hanger against suitable mounting surface and use the four (4) KO holes in top as a template to drill the mounting holes.
2. Orient SO hanger so that the body is parallel (||) or perpendicular (⊥) to room walls.
3. Fasten SO hanger to drilled ceiling structure using suitable hardware such as lag bolts, expanding bolts or threaded screws (not furnished).
4. For through-wire applications, attach conduit to KO holes in side of SO hanger. Use locknuts and bushings (not furnished) to secure the conduit in place.
5. Pull supply wires and ground. Extend a short feeder wire section 4-6" below hanger opening.
6. Store SO hanger covers across the turned in ledges of the hanger. Tape in place, if necessary.



Industrial Lighting

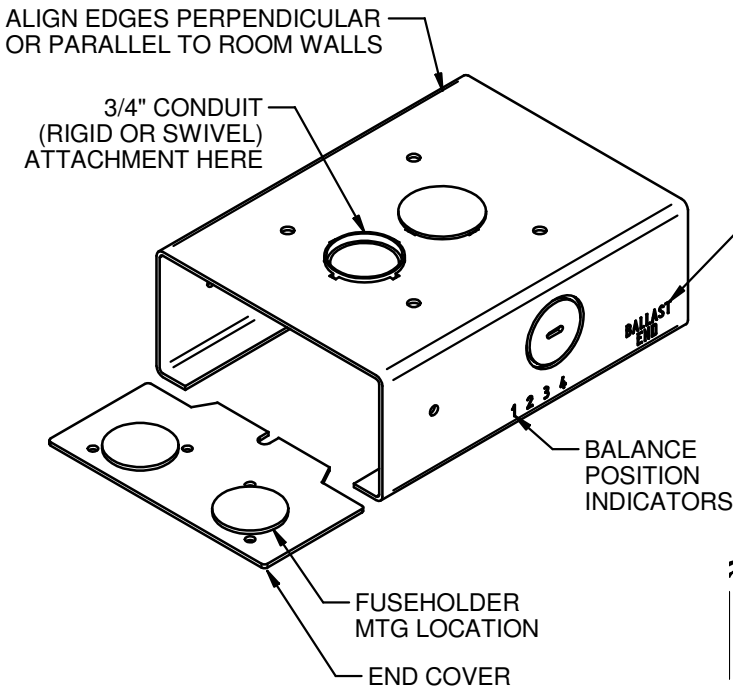
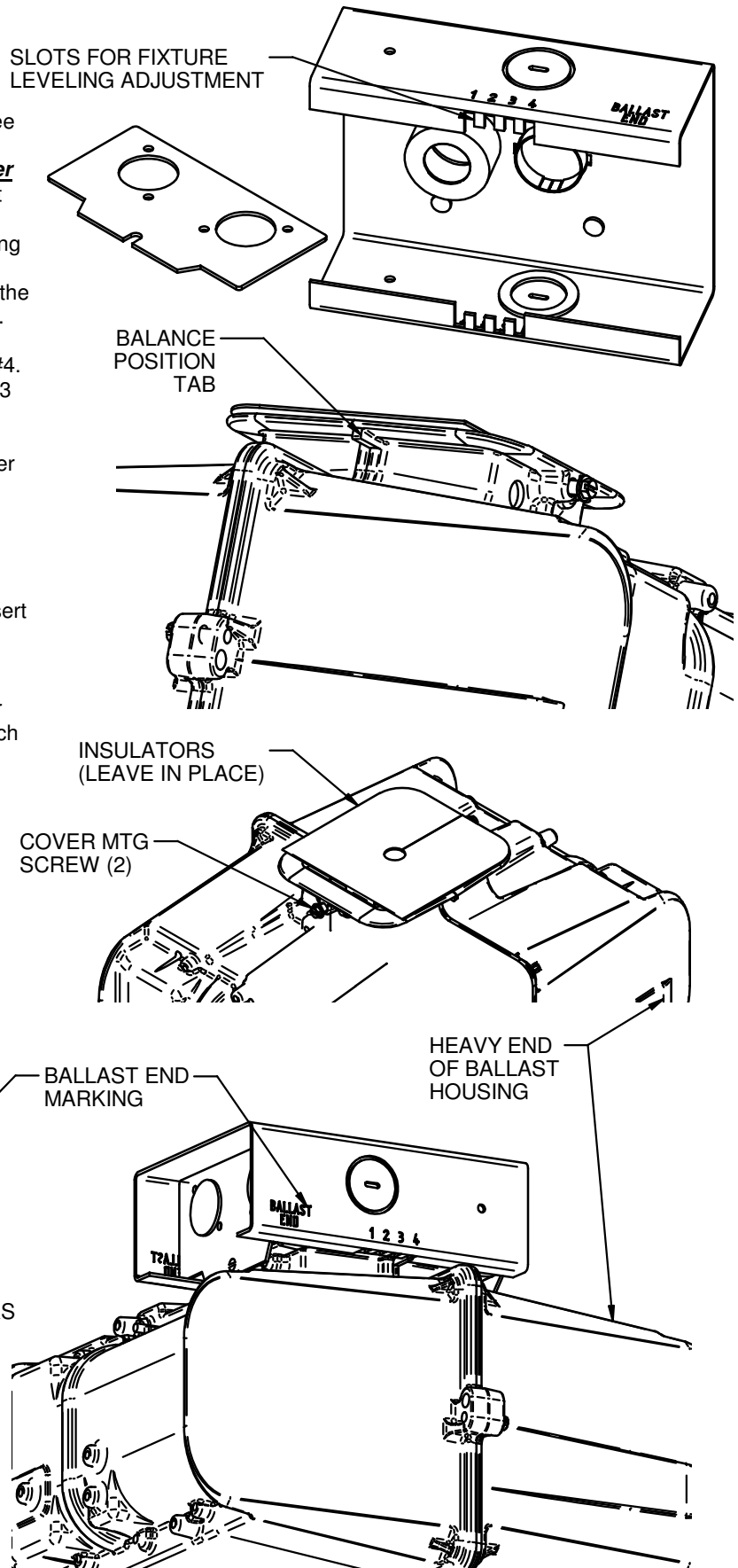
Hubbell Lighting, Inc.
A subsidiary of Hubbell Incorporated
701 Millennium Blvd • Greenville, SC 29607

Doc. Number 93006704
Revision *
Phone: (864) 678-1000

INSTRUCTIONS FOR BL / BLA1000 FIXTURES WITH SLICK-ON BRACKET FIXTURE HANGING INSTRUCTIONS

TO INSTALL SLICK-ON HANGER:

1. Place both covers conveniently nearby.
2. Back off both screws in the top of the ballast housing about three turns. Leave insulators in place.
3. With the "ballast end" marking on side of Slick-On hanger *closer* to the installer, grasp the ballast housing with two hands so that the heavier side is *farther* away from the installer.
4. Lift the ballast housing up to the SO hanger and slide the housing support flanges over the turned in SO hanger flanges.
5. Slide housing along hanger flange(s) until the small tabs under the housing flange fall into the #4 marked slot on the hanger flange. The joint between the castings acts as a position indicator.
6. For rigid conduit mount applications, leave housing in position #4.
7. For fixed ceiling mount applications, place housing in position #3 or #2.
8. For swiveling or loop mounted applications, leave housing in position #4 for most ballasted fixtures. Use position #3 for lighter ballasted fixtures. Try both positions to determine the better mounting.
9. Bring wires outside opening and connect the fixture wires and ground to the supply wires in a recognized N.E.C. manner.
10. Tuck connected wires back into opening and place covers over both ends of the SO hanger. Tilt the cover back slightly and insert slot over screw head. Tighten screw to secure cover in place. Repeat for other end.
11. For special fused fixture applications, place the cover with fuseholder(s) attached into the unmarked end of the SO hanger after wiring the fuseholder(s) into the circuit. "Line" lead(s) attach to supply wires and "load" lead(s) attach to fixture wires. Install fuses of recommended current rating into the fuseholder(s).
12. Mount plain cover on other end of SO housing.



Industrial Lighting

Hubbell Lighting, Inc.
A subsidiary of Hubbell Incorporated
701 Millennium Blvd • Greenville, SC 29607

Doc. Number 93006704
Revision *
Phone: (864) 678-1000