

INSTALLATION INSTRUCTIONS FOR EL SERIES LUMINAIRE RETAINERS

EL-TLRX EL-LLR

WARNINGS:

- Install, operate and maintain to meet all applicable codes.
- Handle and secure so reflector and fixture cannot fall.

TOP LUMINAIRE RETAINER: EL-TLRX (SEE FIGURE 1)

1. Remove screw (1) from ballast housing (2) and attach bracket (3) to the ballast housing using same screw (1).
2. Insert S-hook (4) into bracket and pinch the S-hook closed with pliers.
3. Insert the S-hook in the end loop of the chain (5) and pinch the S-hook closed with pliers.
4. Loop loose end of the chain over an existing sturdy structural member (6) and pull it taut to minimize slack.
5. Insert the second S-hook (7) in the end loop of the chain and into the taut chain at a position which will allow a maximum 3" (76 mm) droop.
6. Pinch the S-hook closed on the chain with pliers.

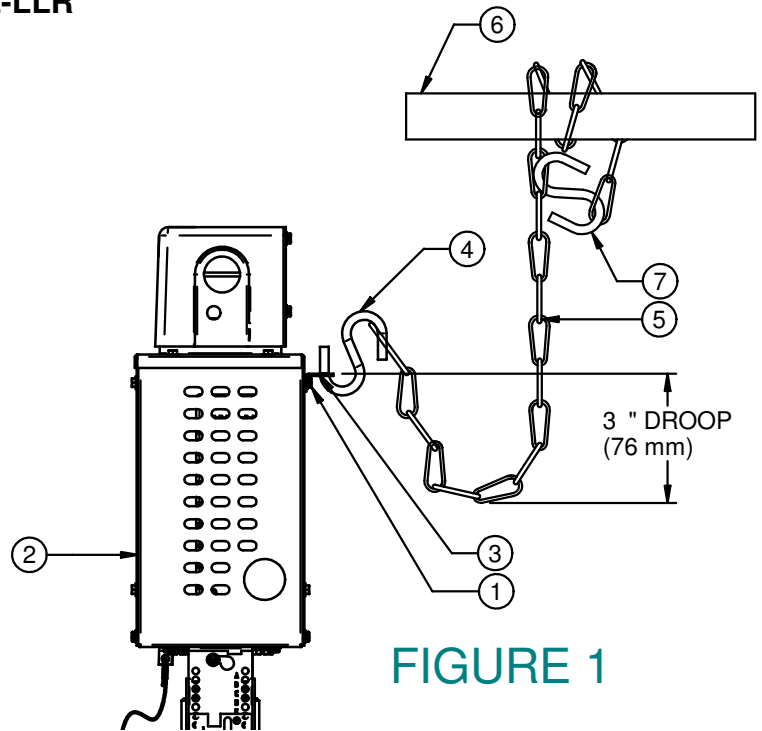


FIGURE 1

LOWER LUMINAIRE RETAINER FOR -SU, -BI, -WA, -PA OPTICS: EL-LLR (SEE FIGURE 2)

1. Remove screw (8) from the bottom of the ballast housing (2) and attach bracket (9) to the housing using the same screw.
2. Snap latch (10) into hole on reflector (11).

LOWER LUMINAIRE RETAINER FOR -EG, -SD, -AL, OPTICS: EL-LLR (SEE FIGURES 2 & 3)

1. Remove screw (8) from the bottom of the ballast housing (2) and attach bracket (9) to the housing using the same screw.
2. Attach bracket (12) to reflector (11) and secure with screw (13) and nut (14).
3. Snap latch (10) into hole on bracket (12).

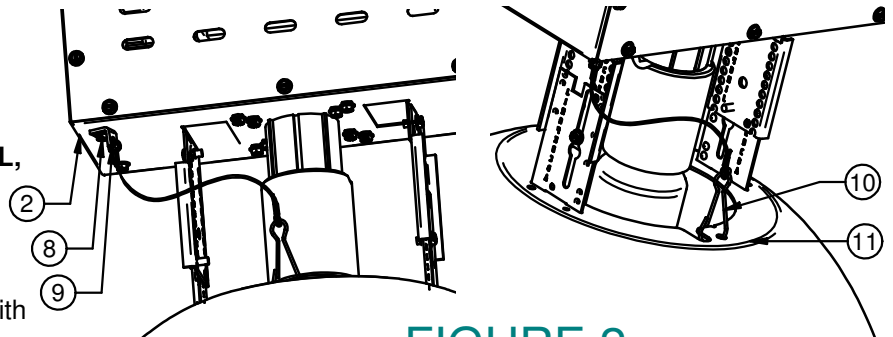


FIGURE 2

LOWER LUMINAIRE RETAINER FOR -LB1, -LM OPTICS: EL-LLR

1. Attach bracket, similar to above, to bottom of ballast housing and secure with screw.
2. Stretch cable and snap latch into hole in lens ring hinge bracket at bottom of reflector.
3. If cable does not reach hinge bracket hole, rotate reflector so that bracket is closer or attach cable to other side of ballast housing.

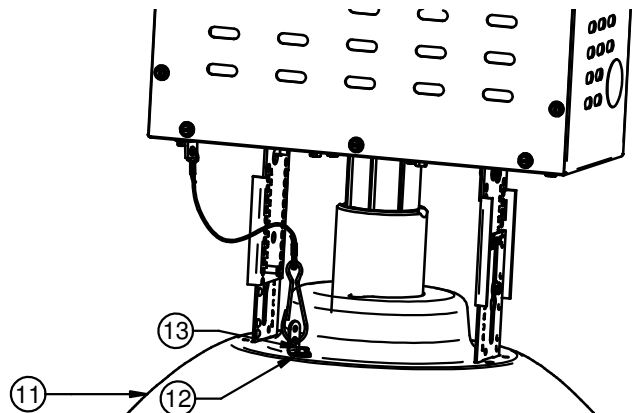


FIGURE 3



Industrial Lighting

Hubbell Lighting, Inc.
A subsidiary of Hubbell Incorporated
701 Millennium Blvd • Greenville, SC 29607

Doc. No. 93009168
Revision *
Phone (864) 678-1000