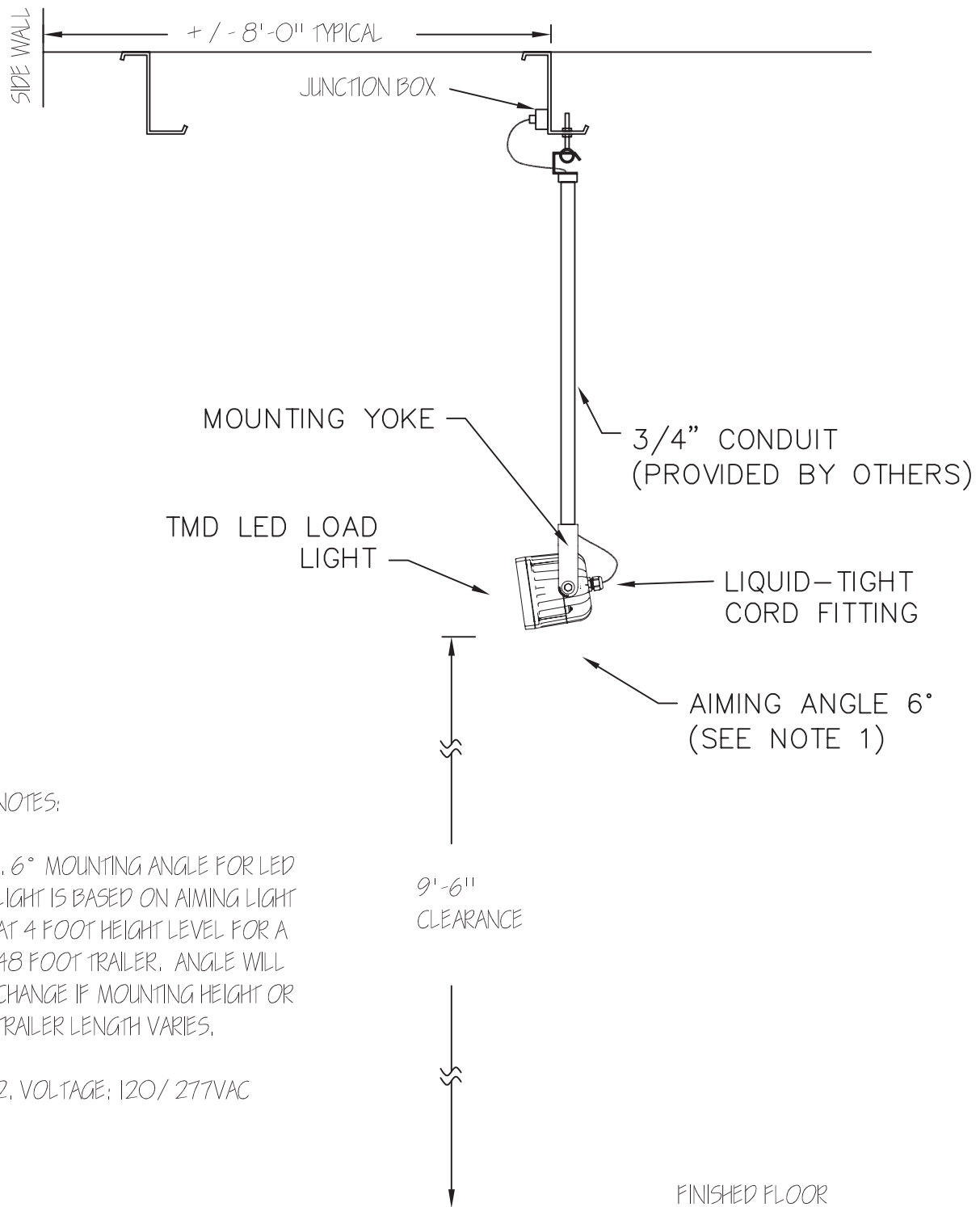


# MOUNTING DETAIL:



**NOTES:**

1. 6° MOUNTING ANGLE FOR LED LIGHT IS BASED ON AIMING LIGHT AT 4 FOOT HEIGHT LEVEL FOR A 48 FOOT TRAILER. ANGLE WILL CHANGE IF MOUNTING HEIGHT OR TRAILER LENGTH VARIES.

2. VOLTAGE: 120 / 277VAC

DRAWN BY:	DATE
DK	09/10/08
DWG. No.	
INSTALL	