


INSTALLATION INSTRUCTIONS FOR OPEN TOP AND BOTTOM REC INDUSTRIAL

SAVE THESE INSTRUCTIONS

WARNING! LUMINAIRES require high current and voltage. HID LAMPS used in luminaires generate intense light and high temperatures. HID LAMPS may emit UV and IR radiation. LAMPS may contain MERCURY (Hg), LEAD (Pb) and other potentially dangerous and/or toxic materials. If lamp is marked  it contains mercury and is subject to disposal laws. See www.lamprecycle.org. HID LAMPS may rupture unexpectedly.

WARNING! Fixtures must be grounded and installed in accordance with the National Electrical Code and all local codes. Failure to do so may increase the **RISK OF PERSONAL INJURY, PROPERTY DAMAGE, FIRE AND DEATH**. Install and use so lamp and control gear burnouts do not cause a hazard and use only in environments for which the product is specifically marked.

WARNING! This product contains chemicals known to the State of California to cause cancer, birth defects, and/or other reproductive harm. Thoroughly wash hands after installing, handling, cleaning, or otherwise touching this product.

CAUTION! Follow ALL luminaire and lamp manufacturer's recommendations, product markings, instructions, restrictions and warnings regarding luminaire and lamp operation, burning position, cycling and lamp replacement. Luminaire label shows electrical, environmental and lamp requirements. **STOP USING WHEN LAMP FAILS**. Continued operation will result in control gear damage and possible nuisance smoke.

All electrical work must be done by a qualified electrician.

Turn off electric power to all affected circuits and allow to cool before servicing.

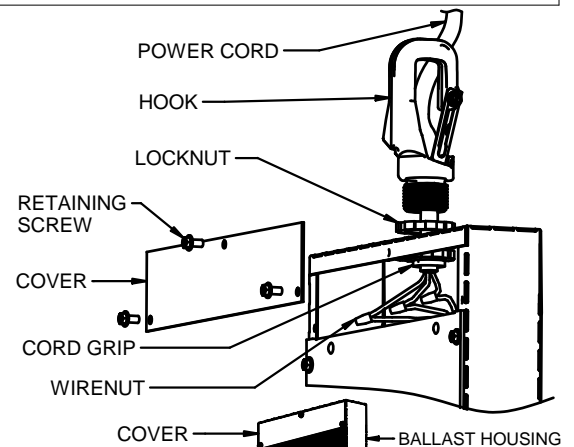
A regularly scheduled maintenance program should be established to retain optimum light output and reduce heat retention. Dusting with a soft, clean, dry cloth is normally sufficient for the reflector. Any accumulation of dust or dirt should be removed regularly from both sides of the lens during relamping. Use only a mild soapy solution, DO NOT use alkaline or acid cleaners on reflector surfaces.

Carefully read these instructions before installing product. If you do not understand these instructions, before starting any work, contact your Hubbell Lighting distributor or techsupport@hubbell-ltg.com or (864) 678-1000

Give instructions to facility owner/manager for future reference.

HOOK MOUNT AND WIRING BALLAST HOUSING

1. Insert end of Cord through Hook. Supply Power Cord is to be rated for a minimum of 90°C 16/3 SOW-A.
2. Remove Cover from Ballast Housing by removing (3) Retaining Screws.
3. Assemble the HOOK with two (2) Locknuts provided. Tighten Locknut on top of Housing to secure Hook from loosening. See HOOK/LOOP assembly instructions.
4. To secure the Power Cord in place install a cord grip around the cord that extends through the Hook inside the Housing.
5. Connect Cord wires to the wires from the Ballast Housing with approved Wirenuts.
6. Place Wires inside Housing and attach Cover with (3) Retaining Screws.
7. Attach Hook Closure Bracket onto end of Hook with Screw provided. After Fixture is hung, the Closure Bracket should be secured across the Hook opening to prevent disengagement.



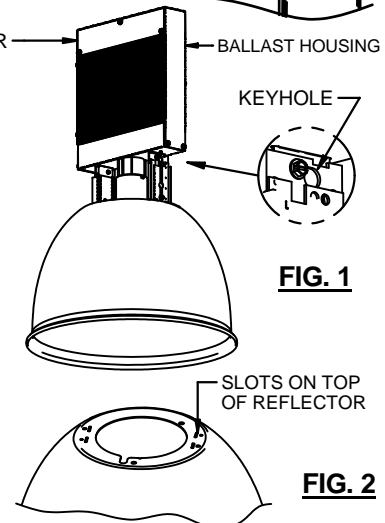
REFLECTOR BI TO REC-EHID BALLAST HOUSING

CAUTION – To reduce the **RISK OF FIRE** when using an open bottom reflector or refractor, **DO NOT INSTALL A LAMP MARKED FOR USE IN ENCLOSED LUMINAIRES ONLY (E-code)**.

Please read thoroughly before installing.

A. TO INSTALL 14" DIAMETER REC-BI REFLECTOR

1. Assemble the two (2) reflector brackets. See mounting bracket assembly instructions.
2. Adjust movable bracket per distribution chart (FIG. 3).
3. Insert bracket assemblies into slots provided on top of reflector (FIG. 2). Flanges should point outward.
4. Back off the two screws in the lower side(s) of the ballast housing about five (5) turns each (FIG. 1).
5. If the fixture is equipped with a quartz standby or emergency lighting socket bracket, orient the reflector so that the large cutout in the reflector flange will align with the side of the HID lamp socket that has the auxiliary QSS cable emerging (from).
6. Attach brackets, with key holes, to ballast housing and tighten screws on both sides (FIG. 1).
7. Straighten both bracket pairs to align the optical assembly and to ensure that the HID lamp is centered within the reflector. Make sure everything is tightened for proper engagement and security.



INSTALLATION INSTRUCTIONS FOR OPEN TOP AND BOTTOM REC INDUSTRIAL

B. PHOTOMETRIC DISTRIBUTION AND BRACKET POSITIONING CHART FOR BI REFLECTOR

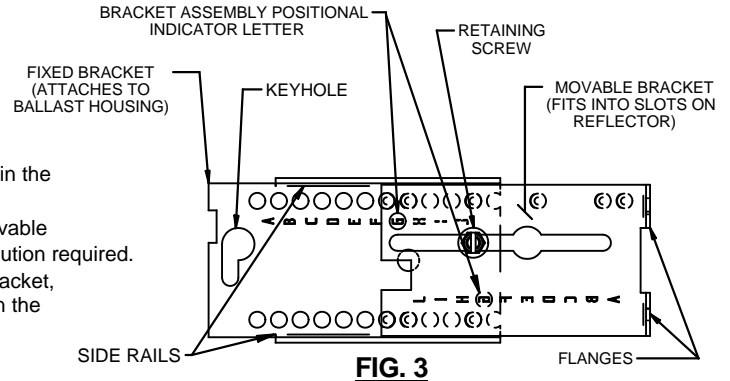
- The letters in the chart indicate adjustable bracket setting positions for the photometric distribution ranges given.
- Letter on fixed upper bracket should appear in the indicator circle on the lower movable bracket.

DISTRIBUTIONS WANTED WITH BI REFLECTOR

SOURCE	WATTAGE	NARROW	MEDIUM	WIDE
PULSE START	200	G	D	A

C. ASSEMBLY INSTRUCTIONS FOR REFLECTOR MOUNTING BRACKETS

- Place fixed bracket down with the side rails facing up.
- Place movable bracket with two flanges facing up on top of the fixed bracket.
- Install a retaining screw, supplied in the plastic hardware bag, through the slot in the movable bracket into the lower aligned hole in the fixed bracket.
- Check the light distribution adjustment chart to find a proper setting for this movable bracket based upon the type and wattage of the light source and type of distribution required.
- Adjust the movable bracket to place the positional indicating letter, on either bracket, corresponding to a desired beam spread given on distributions wanted chart, in the indicating circle, on either bracket.
- Tighten screw to secure setting.
- Assemble the second bracket combination.

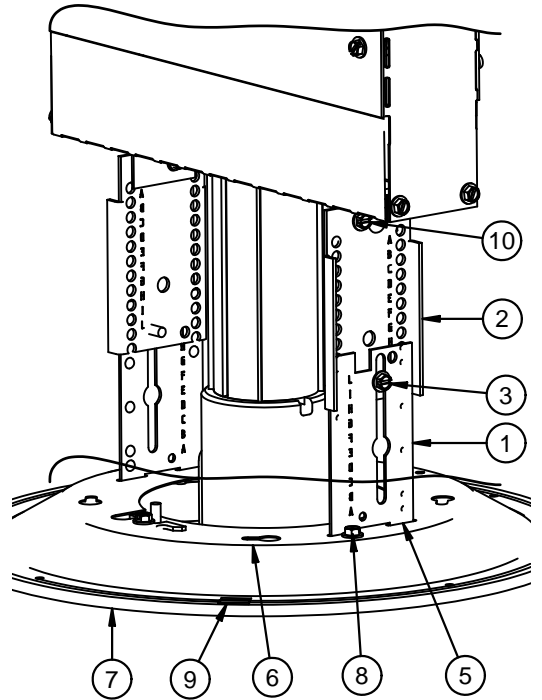


REFLECTOR WW22 TO REC-EHID BALLAST HOUSING

CAUTION – To reduce the **RISK OF FIRE** when using an open bottom reflector or refractor, **DO NOT INSTALL A LAMP MARKED FOR USE IN ENCLOSED LUMINAIRES ONLY (E-code).**

D. TO INSTALL 22" DIAMETER REC-WW22 REFLECTOR

- Check the light distribution adjustment chart to find a proper setting for the movable bracket based upon the type and wattage of the light source and type of distribution required for the installation.
- Adjust both movable brackets (1) up or down until the correct letter (adjustment) appears in the upper right hole over the letter column on the fixed bracket (2). Use accompanying instruction sheet as a guide for the adjustment and proper connection. Secure in this position by tightening the retaining screws (3).
- Back off both screws (10) located in the lower side of the fixture housing about five turns each.
- Turn each reflector bracket assembly outward (flanges pointing away from each other) and insert the flanges (4) into the slots (5) in the metal support disk (6) that is attached inside the plastic reflector (7).
- For added security to prevent accidental disengagement, thread screws (8) through the lower hole in the movable bracket (1). Fully engage screw to trap the bracket in position and prevent it from slipping out of the slot.
- Make sure each of the four crimped over fingers (9) on the metal disk are bent over the top of the reflector. Squeeze them over, if necessary, to tighten the insert against the reflector.
- Bring the reflector assembly up to the bottom of the ballast housing and align both bracket pairs, attached to the reflector, over the backed off screws (10) that are in place on the lower side of the fixture housing.
- Engage the keyhole slots in the reflector brackets and tighten both screws (10) to attach reflector assembly.
- Install HID lamp. Make sure it is the same wattage and type specified on the fixture label.
- Straighten both bracket pairs to align the optical assembly and assure that the HID lamp is centered in the reflector.
- Make sure all screws are tightened for proper engagement and security.



E. PHOTOMETRIC DISTRIBUTION AND BRACKET POSITIONING CHART FOR WW22

- The letters in the chart indicate adjustable bracket setting positions for the photometric distribution ranges given.
- Letter on fixed upper bracket should appear in the indicator circle on the lower movable bracket.

DISTRIBUTIONS WANTED WITH WW22 REFLECTOR

SOURCE	WATTAGE	NARROW	MEDIUM	WIDE
PULSE START	200	I	D	A

F. CLEANING

- Clean inside of reflector with a mild non-abrasive soap or glass cleaner using a clean soft cloth.

G. INSTALL HID LAMP

- Check to make sure the HID lamp to be installed is the correct type and wattage for the fixture. Important information regarding lamp type and wattage is given on the ballast housing label.
- Insert lamp into socket and hold socket while threading lamp until tight.
- Wipe fingerprints and other grime off the lamp.

