

FREEZER HIGHBAY (FB) INSTALLATION INSTRUCTIONS



SEE WARNING ON CARTON

WARNINGS:

- Observe all precautions usually followed when dealing with high voltage equipment when installing or servicing this light fixture.
- Disconnect power before installing or servicing.
- The product must be installed in accordance with the applicable installation code by a person familiar with the construction and operation of the product and the hazards involved.
- Protect all wiring connections with approved insulators rated 600V, 150°C.
- Line voltage must be 120V – 277V to match Fixture voltage requirement.

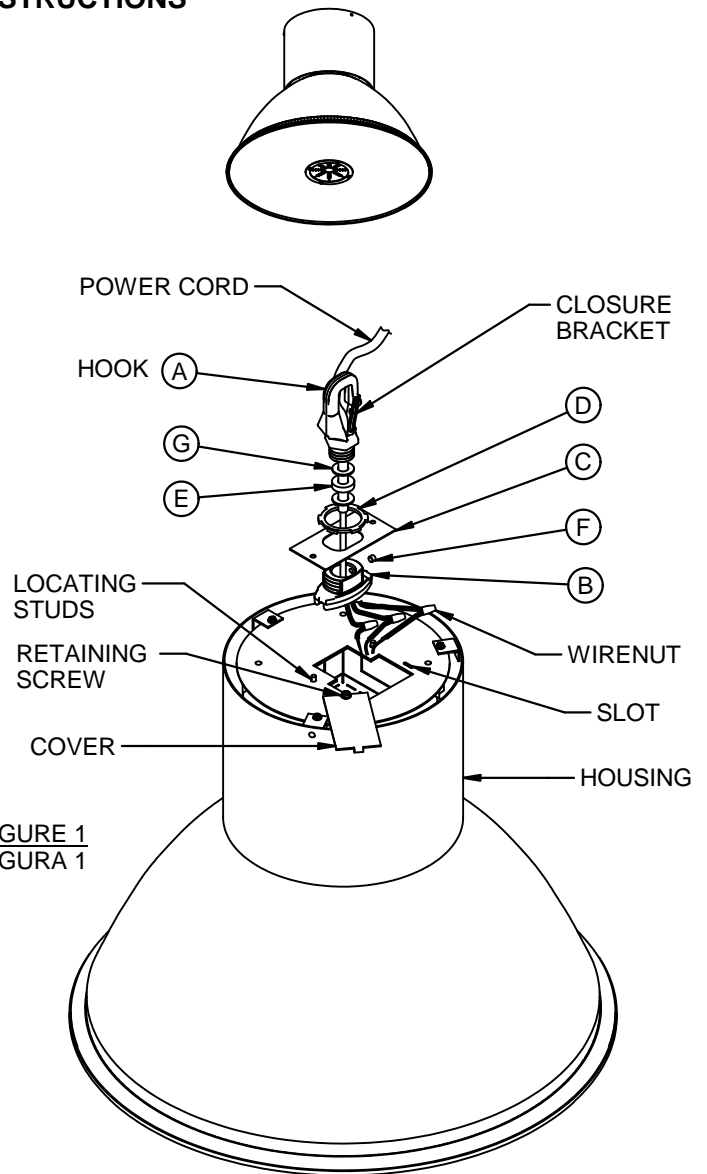
SAVE THESE INSTRUCTIONS FOR FUTURE REFERENCE

- Upon receipt of this Fixture, thoroughly inspect it for any damage. If any is found, the carrier should be notified and held accountable.

INSTALLING HOOK MOUNT (See Figure 1):

1. Insert end of Cord through Hook (A). Supply Cord is to be rated for a minimum of 90°C 16/3 SOW-A.
2. Swing out Cover after loosening Retaining Screw
3. Loosen Locknut (D) and remove Hub (B), with Plate (C) as shown.
4. Insert rubber Bushing (E) between Washers (G) and place inside Hub (B). Part of the Cord Jacket should extend through Bushing (E).
5. Thread the Hook into the 3/4" NPS Hub (B). Use a wrench over the Hex shape on the Hook casting to tighten it in place.
6. CAUTION: Do not twist the Hook by using a screwdriver blade – too much force could break the Hook.
7. Tighten Set Screw (F) to secure Hook from loosening.
8. Connect Cord wires to the Fixture wires with approved Wirenuts.
9. Place Hub into top of Housing so that the Hub flanges engage inside of Housing.
10. Align holes in Plate (C) with Studs in Housing to secure position of Hub. Tighten Locknut (D) to lock Plate and Hub in place.
11. Place Wires inside Housing and rotate Cover to engage Slot. Tighten Screw.
12. Attach Hook Closure Bracket onto end of Hook with Screw provided. After Fixture is hung, the Closure Bracket should be secured across the Hook opening to prevent disengagement.

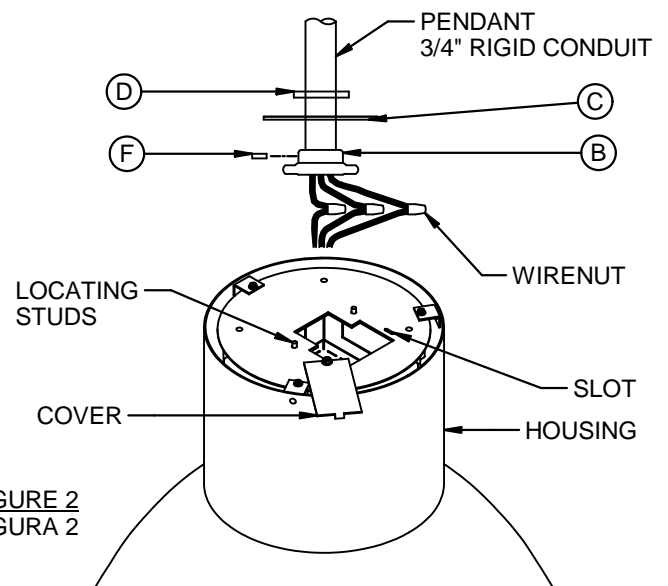
FIGURE 1
FIGURA 1



INSTALLING PENDANT MOUNT (See Figure 2):

1. Swing out Cover after loosening Retaining Screw
2. Loosen Locknut (D) and remove Hub (B), with Plate (C) as shown.
3. Thread the Rigid Conduit into the 3/4" NPS Hub (B).
4. Tighten Set Screw (F) to secure Pendant from loosening.
5. Lift Fixture to mounting Hub (B), with Supply wires hanging out, so that the Hub flanges engage inside of Housing.
6. Align holes in Plate (C) with Studs in Housing to secure position of Hub (B). Tighten Locknut (D) to lock Plate and Hub in place.
7. Connect Supply wires to the Fixture wires with approved Wirenuts.
8. Place Wires inside Housing and rotate Cover to engage Slot. Tighten Screw.

FIGURE 2
FIGURA 2



Outdoor Lighting

Hubbell Lighting, Inc.
A subsidiary of Hubbell Incorporated
701 Millennium Drive • Greenville, SC 29607

Doc. No. 93025497
Revision -
Phone (864) 678-1000