



NEW!

Energy Efficient LED Technology

Less than 20 WATTS per fixture!

LED VAPORTITE



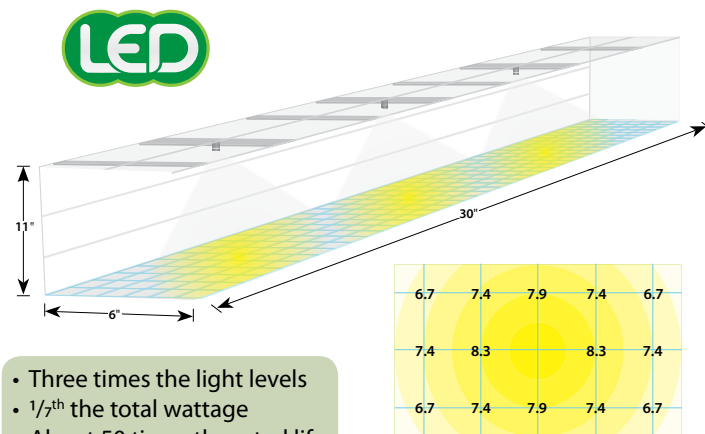
DESIGNED TO RELIGHT OR RETRO-FIT COMMERCIAL & INDUSTRIAL LIGHTING APPLICATIONS

These new highly efficient low maintenance LED Vaportite fixtures are designed for maximum versatility and are offered in four mounting configurations: pendant, ceiling, wall outlet and stanchion mount. Ideal applications include: manufacturing plants, chemical and petrochemical processing facilities, sewage treatment plants, off-shore and dockside installations, agricultural, commercial, industrial, mining and marine facilities. LED vaportite fixtures deliver high quality superior light over incandescent fixtures traditionally used in these applications.

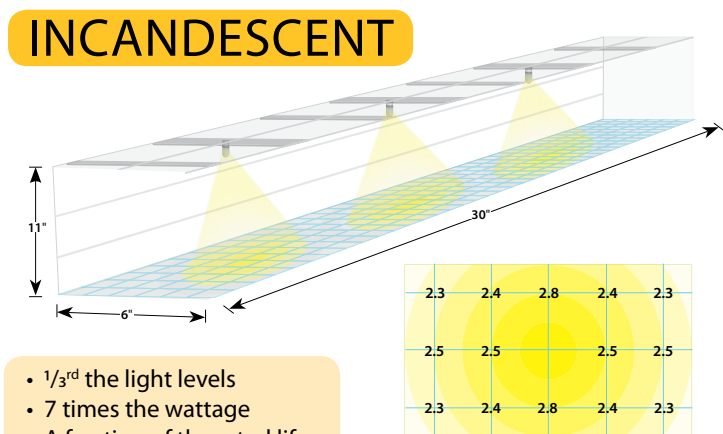
- Long LED life, up to 50,000 hrs
- Very low energy use – less than 20 watts per fixture
- Ideal for retrofit of existing incandescent fixtures
- 120-277V universal power supply
- Available in frosted glass globe or acrylic flat lens that delivers up to 3x the light levels of incandescent
- Units are listed to UL1598 for use in wet locations
- Crisp white 5000K color

FOOTCANDLE PERFORMANCE COMPARISON

Vaportite Fixture	Optics	Min	Max	Average	Ave/Min	Max/Min
VLED15 (LED)	Flat Acrylic Lens	6.5	8.9	7.0	1.68	2.12
NVx15G (Incandescent)	Frosted Glass Globe	2.3	3.7	2.4	1.72	2.69



- Three times the light levels
- 1/7th the total wattage
- About 50 times the rated life
- Test #3637



- 1/3rd the light levels
- 7 times the wattage
- A fraction of the rated life
- Test #BAL6682

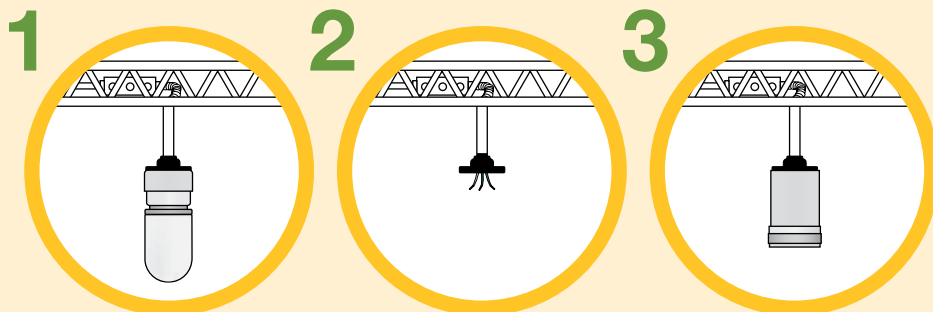


LED VAPORTITE

Ease of installation: "One-for-one" replacement

Replacing an incandescent Vaportite fixture with a new LED Vaportite fixture typically requires a simple three-step process, reducing installation costs and critical downtime.

- **Step 1** – Remove old globe and socket body.
- **Step 2** – Prepare wiring.
- **Step 3** – Install new LED Vaportite.

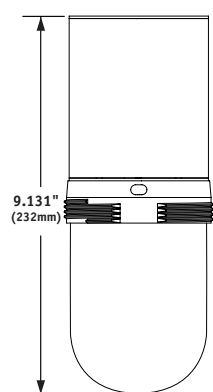
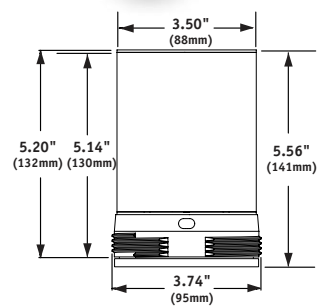


You're done! In 3 easy steps you can install a new LED Vaportite to save money and energy.

Catalog Logic

SERIES	MOUNT	HUB SIZE	OPTIC
VL15	P Pendant X Ceiling D Stanchion ¹ W Wall	1 1/2" 2 3/4" 4 1 1/4"	G Frosted Glass Globe A Flat Acrylic Optic

¹ D Stanchion only available as 1 1/4" Hub



Component Catalog Numbers	Description
V8LU15	VAPORTITE SMALL LED BODY
VL15A	LENS - VLED FLAT ACRYLIC
VL15G	LENS - VLED FROSTED GLASS GLOBE
Complete Catalog Numbers	Description
VL15P1A	LED Vaportite, 20w, 1/2" Pendant, Flat Acrylic Lens
VL15P2A	LED Vaportite, 20w, 3/4" Pendant, Flat Acrylic Lens
VL15P1G	LED Vaportite, 20w, 1/2" Pendant, Frosted Glass Globe
VL15P2G	LED Vaportite, 20w, 3/4" Pendant, Frosted Glass Globe
VL15X1A	LED Vaportite, 20w, 1/2" Ceiling Mount, Flat Acrylic Lens
VL15X2A	LED Vaportite, 20w, 3/4" Ceiling Mount, Flat Acrylic Lens
VL15X1G	LED Vaportite, 20w, 1/2" Ceiling Mount, Frosted Glass Globe
VL15X2G	LED Vaportite, 20w, 3/4" Ceiling Mount, Frosted Glass Globe
VL15W1A	LED Vaportite, 20w, 1/2" Wall Mount, Flat Acrylic Lens
VL15W2A	LED Vaportite, 20w, 3/4" Wall Mount, Flat Acrylic Lens
VL15W1G	LED Vaportite, 20w, 1/2" Wall Mount, Frosted Glass Globe
VL15W2G	LED Vaportite, 20w, 3/4" Wall Mount, Frosted Glass Globe