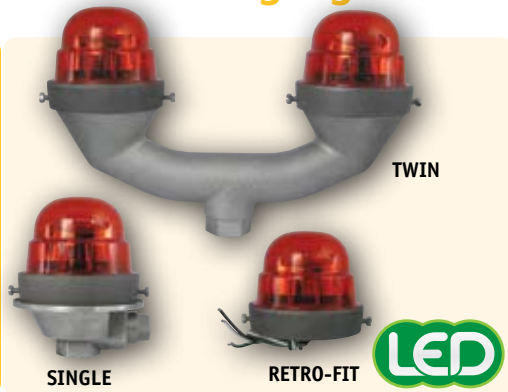


AW LED Series

Area Warning Lights

SEALED

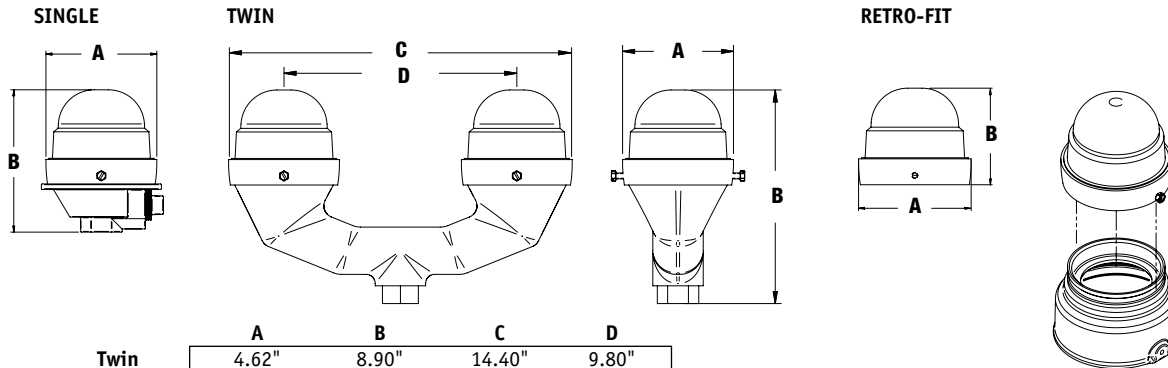


- Uses 95% less energy than incandescent, only 6.5 total watts per unit
- For use as obstruction indication for buildings and towers
- Available as a single, dual or retro-fit unit
- Available in 120 VAC
- Lasts years longer than incandescent
- Weather/corrosion resistant lamp assembly and housing
- Red polycarbonate lens
- Self-contained wiring compartment eliminates additional boxes
- Threaded 1" side and bottom hubs for single unit
- Threaded 1" bottom hub for dual unit
- Both units supplied with adapter for 3/4" mount
- Resistant to shock and vibration
- IP66 / NEMA 4X
- UL listed
- FAA AC NO: 150/5345-43F (Red obstruction lighting)



ORDERING INFORMATION

CATALOG NUMBER	DESCRIPTION
AW-S-P-3-120	Single AW LED area warning light
AW-D-P-3-120	Twin AW LED area warning light
AW-RETRO-120	Retro-fit AW LED area warning light



	A	B	C	D
Twin	4.62" 117.35mm	8.90" 226.06mm	14.40" 365.76mm	9.80" 248.92mm
Single	4.62" 117.35mm	5.93" 150.62mm	N/A	N/A
Retro-fit	4.62" 117.35MM	4.00" 101.60MM	N/A	N/A

SPARE PARTS FOR INCANDESCENT BYMB SERIES - Order Separately

CATALOG NUMBER	DESCRIPTION
7AP53	Clear lens
7AP53B	Blue lens
7AP53G	Green lens
7AP53R	Red lens
7AP53Y	Amber lens
7AP3A	Internal relay to change lamps on twin unit



Industrial Lighting