

EL-CH-SW

EL Series

The EL-SW Series is ideal for light manufacturing areas, warehouse and retail aisles. Steel ballast housings should be used in areas with minimal airborne contaminants.

Superwatt 2.0 optic is designed to deliver comfortable, high efficiency illumination for both vertical as well as horizontal surfaces. With its 2.2:1 spacing-to-mounting height ratio, it is well suited for low and medium mounting height applications requiring three-dimensional, high illumination.

27% uplight softens the brightness difference between luminaire and surrounding areas. The maximum downward candlepower is projected at 45° from vertical for wide distribution and the greatly reduced candlepower above 65° minimizes direct glare.

Steel housing with white polyester powder coat finish. All electrical components are positioned to assure unit will hang straight. Housing is ventilated for optimal thermal performance.

Electronic ballast is 100% factory tested. Ballast will operate pulse start lamps only, from 200-277V.

Glazed porcelain, vertically oriented, mogul-base socket with copper alloy, nickel-plated screw shell and center contact. UL listed 1500w, 600V, 4KV pulse-rated. Will continuously dim from 100% to 50% of light with provided 0-10V dimming leads.

Listed to UL1598 for use in damp locations. 45°C ambient temperature limits.



ACRYLIC

ORDERING INFORMATION

EL		P			
SERIES	WATTAGE	SOURCE	VOLTAGE	OPTICS	COLOR
EL Electronic Highbay Series	32 320w PSMH 35 350w PSMH 40 400w PSMH	P Pulse Start Metal Halide	2 208V 3 240V 4 277V	NC No Optics, housing made for SW optics SW Superwatt® optics	WH White (standard) GR Gray BZ Bronze GL Galvanized

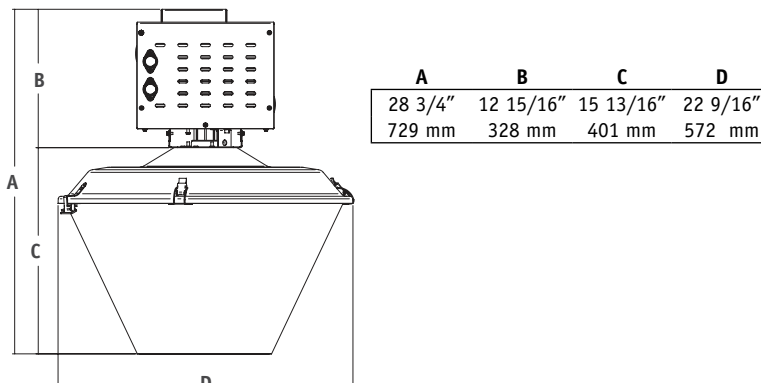
REPLACEMENT LENS

Catalog Number	Description
80033530101	Replacement acrylic refractor

Max Ambient Temperature Chart	
Wattage	Superwatt
320 PSMH	45°C
350 PSMH	45°C
400 PSMH	45°C

For complete temperature information, see page 442.

For a complete list of Options and Accessories see pages 437 to 445.



Industrial Lighting