

# EL-WA22/WW22/WA25

## EL Series

The EL-WA22/EL-WW22 Series is ideal for light manufacturing areas, warehouse and retail aisles. Steel ballast housings should be used in areas with minimal airborne contaminants.

The WA22 Series is designed for low to medium mounting heights in task areas demanding excellent vertical and horizontal illumination. The WA25 Series is designed for 20 to 30 foot mounting heights in areas that call for efficient three-dimensional illumination as well as good looks. The lightweight prismatic acrylic reflector generates wide, uniform light distribution with minimum glare and reduces harsh shadows on vertical work surfaces. Injection molded of UV-stabilized acrylic composition of the reflector versus glass enhances work place safety.

Field adjustable socket bracket allow for medium to wide distribution patterns. Use coated (diffuse) lamps for optimum photometric performance. Unit

available with optional white WA22-CDL conical bottom enclosure. Steel housing with white polyester powder coat finish. All electrical components are positioned to assure unit will hang straight. Housing is ventilated for optimal thermal performance.

Electronic ballast is 100% factory tested. Ballast will operate pulse start lamps only, from 200-277V.

Glazed porcelain, vertically oriented, mogul-base socket with copper alloy, nickel-plated screw shell and center contact. UL listed 1500w, 600V, 4KV pulse-rated. Protected version with pink exclusionary socket available. Will continuously dim from 100% to 50% of light with 0-10V dimming leads.

Listed to UL1598 for use in damp locations. 45°C ambient temperature limit.



### ORDERING INFORMATION

| SERIES                       | WATTAGE                                      | SOURCE                     | VOLTAGE                    | OPTICS  | COLOR  | SOCKET   |
|------------------------------|--|----------------------------|----------------------------|---|--|--|
| EL Electronic Highbay Series | 32 320w PSMH<br>35 350w PSMH<br>40 400w PSMH | P Pulse Start Metal Halide | 2 208V<br>3 240V<br>4 277V | ND No Optics, housing made for WA22/WW22 reflector<br>WA22 22" Wide acrylic reflector<br>WW22 22" Opaque acrylic reflector<br>WA25 25" Wide acrylic reflector | WH White (standard)<br>GR Gray<br>BZ Bronze<br>GL Galvanized | EX Pink exclusionary socket (for open rated lamps) |

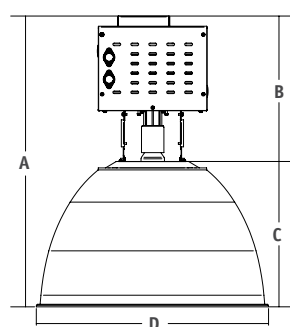
### ACCESSORIES - Order Separately

| Catalog Number | Description                |
|----------------|----------------------------|
| WA2-ENC        | Bottom enclosure           |
| WA22-CDL       | Conical bottom enclosure   |
| WA22-DLR       | Drop lens bottom enclosure |
| WA25-DLR       | Drop lens bottom enclosure |

| Max Ambient Temperature Chart |      |          |
|-------------------------------|------|----------|
| Wattage                       | Open | Enclosed |
| 320                           | 45°C | 45°C     |
| 350                           | 45°C | 45°C     |
| 400                           | 45°C | 45°C     |

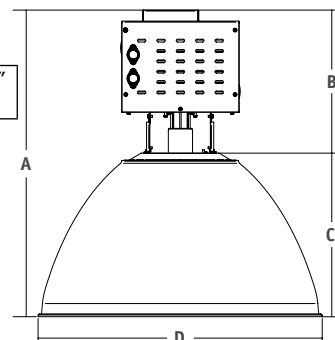
For complete temperature information, see page 442.

For a complete list of Options and Accessories see pages 437 to 445.



EL-WA22/WW22

| A        | B        | C        | D        |
|----------|----------|----------|----------|
| 30 7/16" | 16 7/16" | 14 1/16" | 22 7/16" |
| 772 mm   | 416 mm   | 356 mm   | 569 mm   |



EL-WA25

| A       | B        | C       | D       |
|---------|----------|---------|---------|
| 29 3/4" | 15 3/16" | 14 5/8" | 25 3/8" |
| 755 mm  | 384 mm   | 371 mm  | 644 mm  |



Industrial Lighting