

# LW HID

Lightwatt®

- Lightwatt HID luminaire provides comfortable, high efficiency illumination on vertical and horizontal surfaces
- Ideal for warehouses, shipping docks, stairwells, and especially for low ceiling areas
- The Lightwatt® is the premium luminaire for parking garages where the refractor projects light into, underneath and between parked vehicles, eliminating dangerous shadows
- Lightwatt's photometric distribution provides over 15% uplight to soften the brightness difference between the

- luminaire and the surrounding areas while providing a three dimensional luminous environment
- The computer designed refractor provides over 93% efficiency and spacing to mounting height up to 1.9:1
- Lightwatt luminaire is shipped in one carton, lamp installed
- Housing is 99% copper free aluminum with white Lektrocote® finish
- Refractor is injection molded of high performance acrylic
- Up to 55°C ambient



COMPACT FLUORESCENT

## ORDERING INFORMATION

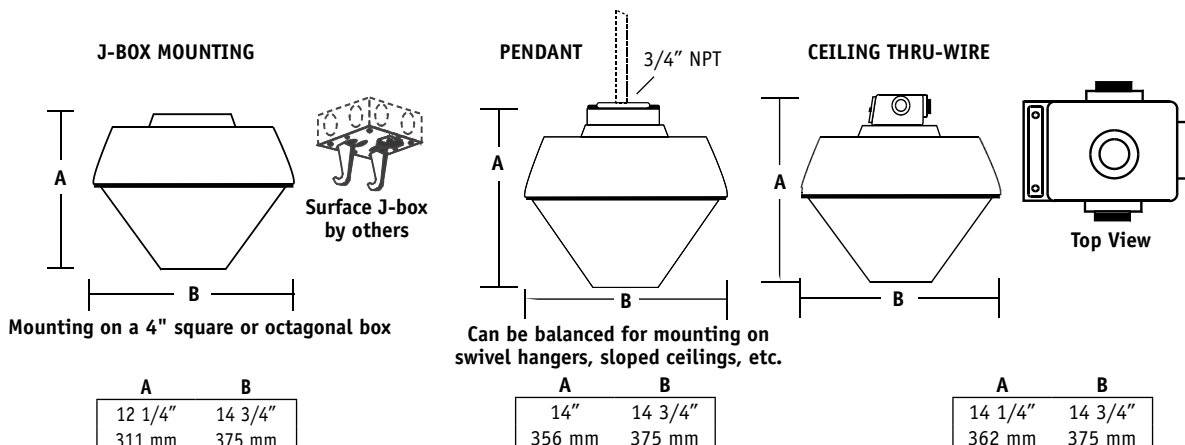
<b>LW</b>	-	-	-	-	-	-	-
<b>SERIES</b> LW <sup>1</sup> Lightwatt			<b>SOURCE</b> S High Pressure Sodium P Pulse Start MH EB <sup>4</sup> Electronic Ballast		<b>REFRACTOR</b> A Acrylic P Polycarbonate		<b>OPTIONS</b> CHLPX 2' Cord, Hook/Loop, 20A Twist-Lock® plug F(X) <sup>5</sup> Fusing LA Latched refractor LL Less lamp LTP Tamper resistant Screws QSS Quartz standby includes 100W lamp QST Quartz time delay, includes 100W lamp
<b>MOUNT</b> J <sup>2,3</sup> J-Box (damp location) P Balanced pendant (wet location) C Ceiling thru-wire (wet location) B Pipe wall bracket (wet location) S Stanchion davit (wet location)				<b>WATTAGE</b> 070 70w PSMH, HPS, (55°C) 100 100w PSMH, HPS, (55°C) 150 <sup>3</sup> 150w PSMH, HPS, (40°C) 175 175w PSMH (35°C)	<b>VOLTAGE</b> 5 480V 6 Tri-Tap® 120/277/347V 8 Quad-Tap® 120/208/240/277V F 347V	<b>COLOR</b> WH White Lektrocote® (standard) GR Gray Lektrocote®	

## REPLACEMENT LENS

Catalog Number	Description
LWREFRACRYLIC	"A" Acrylic refractor
LWREFRPOLYCARB	"P" Polycarbonate refractor

- 1 Lamp included (medium base)
- 2 Fast-Lock J-Box mounting-recessed J-Box requires installation of the included 1 1/2" extension ring
- 3 Not available with J-box mount
- 4 EB is 120-277V, no voltage selection required
- 5 For voltage, replace second "X" with 1=120V, 2=277V, 3=240V, 4=277V, 5=480V, 6=347V

For a complete list of **Options and Accessories** see pages 437 to 445.



Industrial Lighting