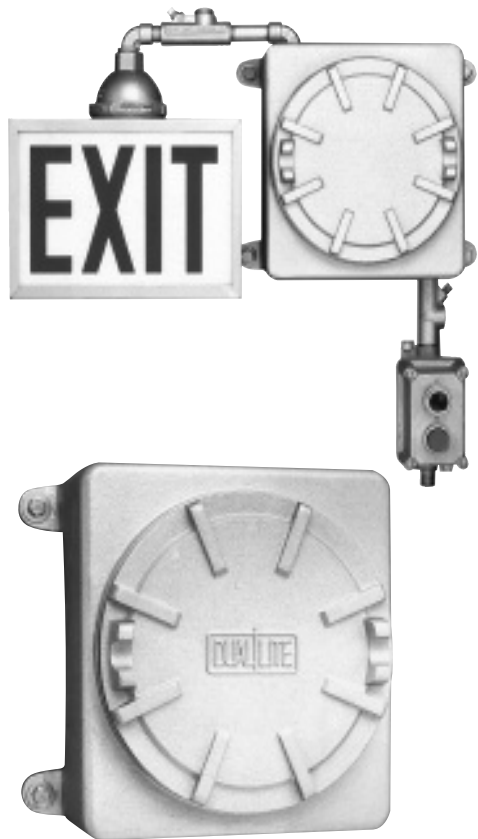


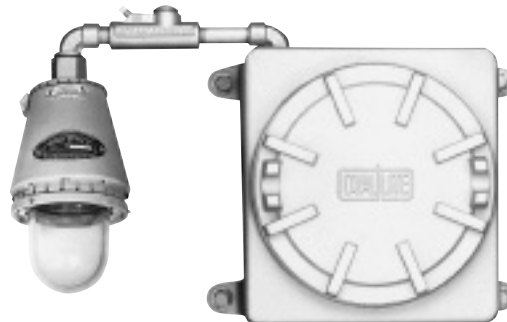
DUAL LITE

XPB Series

Self-contained explosion-proof emergency lighting units.
Designed for "normally off" operation of unit-mounted
or remote lighting fixtures.



Catalog Number	
Comments	Type



Unit shown with optional lighting fixture

Product Selector

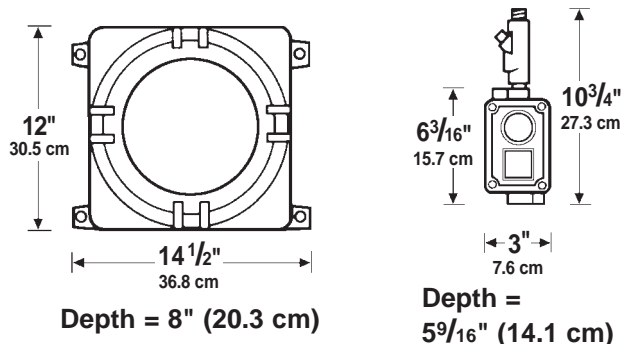
Type	Model No.	Voltage	Total Output Watts			
			1 1/2 Hrs.	2 Hrs.	3 Hrs.	4 Hrs.
	XPB-75P	6	75	57	42	28
	12XPB-75P	12	75	57	42	28
(3) Options (add suffix to model number)						
	-TDR	15-minute retransfer delay (120VAC only)				
Accessories (order separately)						
	EX-1CD	Explosion-proof lighting fixture kit. Includes all hardware necessary for mounting directly to explosion-proof power supply units (XPB-75P, or 12XPB-75P)				
	REX-SDR	Standard dome reflector				
	REX-AR	Angled fixture reflector				
	EX100CD	Auxiliary housing with exit legend, for use with explosion-proof lighting fixture				

NOTE: XPB units are supplied with four 1/2" openings (three top, one bottom) for the attachment of accessory lighting fixtures if required. For specifications and complete ordering information on unit mounted or remote explosion-proof lighting fixtures and their accessories, refer to Explosion-Proof Fixture data sheet 0600738.

Features

- Self-contained emergency lighting power unit
- Operates for a minimum of 90 minutes
- Maintenance-free lead-acid battery
- 6- or 12-volt flexibility
- Fully automatic solid-state charger
- Universal transformer for 120 or 277VAC operation
- Optional fixtures available for a wide range of hazardous environments
- Test switch included
- AC "ON" indicator
- Automatic battery protection
- Easily installed
- High-strength, copper-free aluminum housing
- Capacity for remote fixtures
- Quick access thread-on cover
- Operating temperature range: 20°C to 30°C (68°F to 86°F)
- UL 924 Listed (Emergency Lighting Equipment), UL 844 Listed (Hazardous Locations Classified)

Dimensions



Hubbell Lighting, Inc.

Explosion-Proof Emergency Lighting Units

Applications

Installations requiring an explosion-proof emergency lighting unit designed for safe operation in the following hazardous classification environment groups:

- NEC Class I, Divisions 1 & 2, Groups C & D

Description

Dual-Lite's XPB Series is an explosion-proof emergency lighting power unit, providing "normally off" operation of optional unit-mounted or remote lighting fixtures. It is designed, tested and UL listed to function safely in the presence of hazardous gases, vapors and dusts. Unit construction is a cast junction box of high-strength, copper-free aluminum capable of containing any internal electrical arc or arc-generated explosions without subjecting the external hazardous environment to the by-products of any such occurrence. The electronics consist of an SCR solid-state charger, transfer circuit and low-voltage battery disconnect circuit. The unit test switch and AC "ON" indicator light are housed in a separate module that may be attached directly to the unit housing, or mounted remotely for ease of testing. All XPB Series units are listed for operation in:

NEC Class	Group Rating
Class I, Div. 1 & 2	Groups C & D

Up to three, explosion-proof lighting fixtures can be attached directly to the XPB Series power unit housing.

Lighting fixtures must be ordered separately.

Refer to explosion-proof fixture Data Sheet 0600738 for specifications and ordering information on unit mounted or remote explosion-proof lighting fixtures.

Operation

Designed for "normally off" operation, units provide a minimum of 90 minutes of emergency power to (optional) lighting fixtures when normal utility power supply is interrupted. The SCR solid-state charger maintains the battery at full charge. Upon failure of utility voltage, the DC emergency lighting load is connected to the battery. During emergency operation, automatic battery protection from deep discharge damage is provided by a low-voltage battery disconnect (LVD) circuit. Upon restoration of normal power, the charger will begin a recharge cycle. It will bring the battery to full capacity within acceptable UL time standards.

When equipped with a Time Delay Relay, the unit will continue to supply emergency battery power to emergency lighting fixtures for an additional 15 minutes after normal utility power has been restored. This additional time period allows utility voltage to stabilize, and HID-type task and convenience lighting fixtures to reach full illumination.

A pilot light indicates the presence of line voltage, and a test switch is provided for checking transfer operation. A universal transformer allows operation from 120 or 277VAC in standard units. Models with Time Delay Relay operate at 120VAC only, as indicated by model number. Power consumption is 15 watts.

Temperature Range: 20°C to 30°C (68°F to 86°F)

Battery

Type: Maintenance-free lead-acid

Illumination

Standard illumination is provided using optional fixtures designed for emergency lighting in hazardous environments. The usual design objective in emergency lighting is to provide a level of illumination sufficient to allow people to leave a building in the event of a power failure.

Installation

Designed for easy installation. Provided with four mounting holes for attachment to a wall or other suitable surface. Housing is drilled and tapped for installation of utility AC conduit. Quick access to internal wiring and components is provided by a thread-on cover. All necessary fittings for the test switch/pilot light module supplied standard.

Optional Fixtures

The XPB-75P unit is designed for the direct attachment or remote connection of an optional explosion-proof lighting fixture. The fixture is rated for use in environments where hazardous conditions are normally present (NEC Division 1), or only present under unusual conditions such as accidents or leakage (NEC Division 2). The fixture may be adapted to serve as an exit sign through the use of model EX100CD, Auxiliary Exit Housing. This housing fits directly over the globe of the explosion-proof fixture and attaches to its hub. For specifications and ordering information, refer to Data Sheet 0600738.

Warranty

Unit and Electronics: 3 years full

Battery: 3 years full, 3 years pro-rata (6 years total)

Suggested Specifications

Emergency lighting shall be provided by Dual-Lite explosion-proof unit, model _____, rated for operation in NEC Class _____, Division _____, Groups _____ environments. It shall be designed to provide a minimum of 90 minutes of emergency lighting upon failure of the normal power supply. The unit's case shall be constructed of high-strength, copper-free aluminum. Emergency power source shall be a maintenance-free, lead-acid battery. Electronics shall be of solid-state design and include a low-voltage battery disconnect circuit. Unit shall operate from 120 or 277VAC and shall include a test switch to check emergency operation and an AC "ON" indicator light. Optional explosion-proof lighting fixtures model number _____ shall be provided for (unit) (remote) mounting.