

# SUPERBAY BALLAST HOUSING

Cat. #		Approvals
Job	Type	

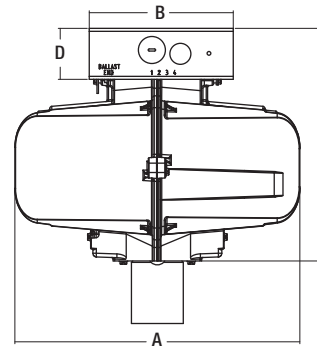


## SPECIFICATIONS

- Rugged, two-piece, die cast aluminum ballast housing with corrosion resistant Lektrocote® white finish.
- Fits with any of four different optical systems.
- Ballasts are high power factor with 180°C Class H insulation.
- Electrical components are mounted directly to the aluminum housing for cool operation and long life.

## LISTINGS

- Superbay ballast housings are CSA 22.2 certified No. 250.0-00 and tested to 35°C ambient operation (25°C for BL-WA25).
- Minimum 105°C supply conductors.
- Suitable for damp locations.



**SLICK-ON®  
BRACKET  
PENDANT, CEILING,  
THROUGH-WIRE  
MOUNTING  
(shipped standard)**

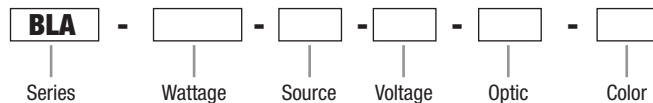


**QUICK-ON®  
BRACKET  
PENDANT MOUNT  
(shipped standard)**

	A	B	C	D
<b>QUICK-ON®</b>	11 <sup>7</sup> / <sub>8</sub> " 301.6 mm	6" 152.4 mm	9 <sup>5</sup> / <sub>8</sub> " 246.2 mm	2 <sup>1</sup> / <sub>8</sub> " 53.9 mm
<b>SLICK-ON®</b>	11 <sup>7</sup> / <sub>8</sub> " 301.6 mm	6" 152.4 mm	9 <sup>5</sup> / <sub>8</sub> " 246.2 mm	2 <sup>1</sup> / <sub>8</sub> " 53.9 mm

## ORDERING INFORMATION

ORDERING EXAMPLE: BLA-1000-H-8-NB-WH



### SERIES

**BLA** Superbay Series

### WATTAGE

**150** 150 watt HPS only  
**175** 175 watt Pulse Start MH only  
**200** 200 watt Pulse Start MH only  
**250** 250 watt Pulse Start MH or HPS  
**320** 320 watt Pulse Start MH or HPS  
**350** 350 watt Pulse Start MH only  
**400** 400 watt Pulse Start MH or HPS  
**450** 450 watt Pulse Start MH only  
**1000** 1000 watt MH, Pulse Start MH or HPS

### SOURCE

**H** Metal Halide  
**S** High Pressure Sodium  
**P** Pulse Start Metal Halide  
**E** Electro-Reg® (40°C)

### VOLTAGE

**5** 480V  
**6** Tri-Tap® - 120/277/347V  
**7** 600V (isolated secondary only)  
**8** Quad-Tap® (multi-tap) - 120/208/240/277V  
**F** 347V (single voltage only)

### OPTIC

**NB** OU/OU60  
**NH** HGE16/HG016  
**NI** HGE22/HG022

### COLOR

**WH** White (standard)  
**GR** Gray (optional)

NOTE: Options must be added as suffix to Catalog Number. Accessories must be ordered separately.

## 1000 WATT SUPERBAY OPTICS & AMBIENT TEMPERATURE

Optic	1000W MH	1000W PS	1000W HPS
<b>BL-WA25<sup>1</sup></b>	BT-37 / 25°C (requires an open rated lamp)	N/A	ED-37 / 25°C
<b>BL-OU60</b>	BT-56 / 35°C	BT-37 / 25°C (requires a bottom lens)	ED-37 / 35°C
<b>BL-HG016</b>	BT-37 / 35°C	BT-37 / 35°C	ED-37 / 35°C
<b>BL-HGE16</b>	BT-37 / 35°C	BT-37 / 35°C	ED-37 / 35°C
<b>BL-HG022</b>	BT-37 / 35°C	BT-37 / 35°C	ED-37 / 35°C
<b>BL-HGE22</b>	BT-37 / 35°C	BT-37 / 35°C	ED-37 / 35°C

<sup>1</sup> WA25 cannot be enclosed with a 1000 watt HID lamp.

## ORDERING INFORMATION

### ACCESSORIES

(order separately)

Catalog #	Description
<b>B-LLR<sup>1</sup></b>	Lower Luminaire Retainer - 2' cable secures reflector to ballast housing
<b>B-TLR(6)<sup>1</sup></b>	6' Top Luminaire Retainer - chain secures ballast housing to structure when additional safety precautions are required
<b>B-TLR(10)<sup>1</sup></b>	10' Top Luminaire Retainer - chain secures ballast housing to structure when additional safety precautions are required
<b>B-TLR(12)<sup>1</sup></b>	12' Top Luminaire Retainer - chain secures ballast housing to structure when additional safety precautions are required
<b>B-TLR(16)<sup>1</sup></b>	16' Top Luminaire Retainer - chain secures ballast housing to structure when additional safety precautions are required
<b>BL-Q0</b>	Quick-On <sup>3</sup> / <sub>4</sub> " pendant mount
<b>BL-SO</b>	Slick-On Thru Wire Outlet Box for <sup>3</sup> / <sub>4</sub> " pendant or <sup>3</sup> / <sub>4</sub> , <sup>1</sup> / <sub>2</sub> side entry conduit
<b>BL-SOF</b>	Slick-On Single Fusing (fuse not incl.) thru wire outlet box for <sup>3</sup> / <sub>4</sub> " pendant or <sup>3</sup> / <sub>4</sub> , <sup>1</sup> / <sub>2</sub> side entry conduit mount with single fuse holder
<b>BL-SOFF</b>	Slick-On Double Fusing (fuses not incl.) thru wire outlet box for <sup>3</sup> / <sub>4</sub> " pendant or <sup>3</sup> / <sub>4</sub> , <sup>1</sup> / <sub>2</sub> side entry conduit mount with double fuse holder (not for Canada)
<b>CH-ENC-23</b>	Tempered Glass Lens Door for open 23"
<b>HG-ENC-16</b>	Flat Glass Bottom Enclosure for the HGE16 & HG016
<b>HG-ENC-22</b>	Flat Glass Bottom Enclosure for the HGE22 & HG022
<b>WA25-ENC<sup>2</sup></b>	25" Acrylic Lens, corrosion-resistant steel lens ring (not dust tight) required for 175, 250, 320 & 350 watt metal halide luminaires; for WA25 reflector only (not for 1000 watt)
<b>WG-16</b>	16" Wireguard - corrosion resistant, welded steel w/ center lamp access
<b>WG-23</b>	23" Wireguard - corrosion resistant, welded steel w/ center lamp access
<b>WG-25</b>	25" Wireguard - corrosion resistant, welded steel w/ center lamp access

<sup>1</sup> Luminaire retainers/safety cables reduce risk of equipment falling.

<sup>2</sup> Bottom enclosures are required unless lamps designated as "suitable for open use" are used.

### MOUNTING ACCESSORIES

(order separately)

PLUGS ARE TWIST-LOCK® TYPE AS MANUFACTURED BY HUBBELL WIRING DEVICES.

Catalog #	Description
<b>BLA-C4HLP-1</b>	4' Cord, Hook/Loop and 120V 20A Twist-Lock® Plug
<b>BLA-C4HLP-4</b>	4' Cord, Hook/Loop and 277V 20A Twist-Lock® Plug
<b>BLA-C4HLP1-15A</b>	4' Cord, Hook/Loop and 120V 15A Twist-Lock® Plug
<b>BLA-C4HLP4-15A</b>	4' Cord, Hook/Loop and 277V 15A Twist-Lock® Plug
<b>HOOK/LOOP<sup>1</sup></b>	Hook - cast aluminum <sup>3</sup> / <sub>4</sub> " NPS male; includes safety screw; converts to Loop with strap included
<b>H3/4AL3/4<sup>1</sup></b>	Swivel Aligner - complete with box for thru wiring; all hubs tapped for <sup>3</sup> / <sub>4</sub> " conduit - 25° swivel
<b>PHE-XXX<sup>1</sup></b>	Die Cast Aluminum Power Hook with 20A Twist-Lock® Receptacle - ceiling or <sup>3</sup> / <sub>4</sub> " pendant mount, with <sup>3</sup> / <sub>4</sub> " side entry for thru wiring 15" Cord, Hook/Loop & Twist-Lock® Plug (20 amp) included (for voltage replace XXX with 120, 208, 240, 277, 347, or 480)
<b>PHE-XXX-L<sup>2</sup></b>	As above, except cord, loop & plug not included (for voltage replace XXX with 120, 208, 240, 277, 347, or 480)
<b>PHS-XXX</b>	Specification Grade Power Hook - 30" cord dead front plug & receptacle with isolated wiring chamber; ceiling or <sup>3</sup> / <sub>4</sub> " pendant mount, with <sup>3</sup> / <sub>4</sub> " side entry for thru wiring; special safety feature locks Hook/Loop onto bottom hook (for voltage replace XXX with 120, 208, 240, 277, 347, or 480)
<b>PHS-XXX-L<sup>1,3</sup></b>	Specification Grade Power Hook - dead front receptacle with isolated wiring chamber; ceiling or <sup>3</sup> / <sub>4</sub> " pendant mount, with <sup>3</sup> / <sub>4</sub> " side entry for thru wiring; Cord, Hook/Loop and Dead Front Plug not included, must be ordered with luminaire (for voltage replace XXX with 120, 208, 240, 277, 347, or 480)
<b>SY3-XXX-2</b>	Rugged Steel Power Hook with 20A Twist-Lock® Receptacle - pendant or surface mount, <sup>3</sup> / <sub>4</sub> " thru wiring capability; 30" Cord, Hook/Loop and Plug (20 amp) included (for voltage replace XXX with 120, 208, 240, 277, 347, or 480)
<b>SY3-XXX-L<sup>2</sup></b>	Porta-Hook includes integral mounting hook and 20A Twist-Lock® Receptacle; <sup>3</sup> / <sub>4</sub> " knockouts on top and two sides; Cord, Hook/Loop and Plug (20 amp) not included (for voltage replace XXX with 120, 208, 240, 277, 347, or 480)

<sup>1</sup> CSA certified.

<sup>2</sup> Cord, Hook/Loop and Plug must be added to fixture as option, example: -C2HLP4.

<sup>3</sup> Cord, Hook/Loop and Dead Front Plug must be added to fixture as option, example: -DFP4.

NOTE: Cord used with above accessories is 16/3 SOWA 105°C NEMA configurations.

Due to our continued efforts to improve our products, product specifications are subject to change without notice.



Industrial Lighting

Hubbell Industrial Lighting • 701 Millennium Boulevard • Greenville, SC 29607 • PHONE: 864-678-1000

For more information visit our web site: [www.hubbell-ltg.com](http://www.hubbell-ltg.com)