

EL SERIES

LM

29" ALUMINUM
LOWBAY

Cat. #		Approvals
Job	Type	



APPLICATIONS

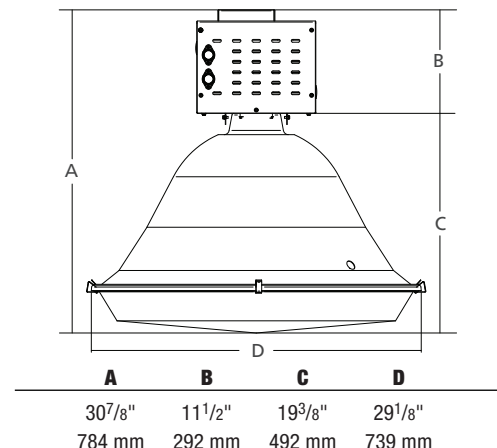
- The EL Series LM is ideal for light manufacturing areas, warehouse and retail aisles. Steel ballast housings should be used in areas with minimal airborne contaminants.

SPECIFICATIONS

- The EL-LM Series is designed for many years of demanding, heavy-duty industrial service. Ideally suited for low to medium mounting heights in areas requiring good horizontal uniformity and high vertical illumination. LM's low brightness refractor produces wide distribution without harsh shadows while projecting light into machinery for optimum yet comfortable visibility.
- 29" spun aluminum with white Lektrocote® finish. Hinged and latched with corrosion-resistant steel hardware for ease in relamping. Computer-designed acrylic refractor (polycarbonate available) is UV stabilized for long life and durability. Prismatic refractor provides square distribution to enhance uniformity and increase fixture spacing.
- Steel housing with white polyester powder coat finish. All electrical components are positioned to assure unit will hang straight. Housing is ventilated for optimal thermal performance.
- Electronic ballast is 100% factory tested. Ballast will operate pulse start lamps only, from 200-277V.
- Glazed porcelain, vertically oriented, mogul-base socket with copper alloy, nickel-plated screw shell and center contact. UL listed 1500W, 600V, 4KV pulse rated. Protected version with pink exclusionary socket available.
- Will continuously dim from 100% to 50% of light. Use provided 0-10v dimming leads.
- 45° C ambient temperature limit. Damp locations.

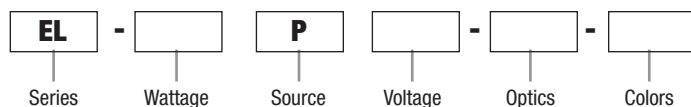
LISTINGS

- Listed to U.S. and Canadian safety standards.



ORDERING INFORMATION

ORDERING EXAMPLE: EL-40P4-LM-WH



SERIES

EL Electronic Highbay Series

WATTAGE

32 320 watt Pulse Start MH

35 350 watt Pulse Start MH

40 400 watt Pulse Start MH

SOURCE

P Pulse Start Metal Halide

VOLTAGE

2 208V

3 240V

4 277V

OPTICS

NE No Optics, housing made for LM reflector

LM 29" Spun Aluminum Lowbay with bottom lens enclosure

COLOR

WH White (standard)

GR Gray

BZ Bronze

GL Galvanize

MAX AMBIENT TEMPERATURE CHART

WATTAGE	LM
320	45°C
350	45°C
400	45°C

ORDERING INFORMATION

OPTIONS FOR EL SERIES

Factory installed — order with fixture by adding suffix.

PLUGS ARE TWIST-LOCK® TYPE AS MANUFACTURED BY HUBBELL WIRING DEVICES.

Suffix	Description
-CFB	Charcoal filter breather
-C4HL	4' Cord, Hook/Loop w/ Quick-On® Hanger - SO cord wired thru hook
-C6HL	6' Cord, Hook/Loop w/ Quick-On® Hanger - SO cord wired thru hook
-C8HL	8' Cord, Hook/Loop w/ Quick-On® Hanger - SO cord wired thru hook
-C10HL	10' Cord, Hook/Loop w/ Quick-On® Hanger - SO cord wired thru hook
-C12HL	12' Cord, Hook/Loop w/ Quick-On® Hanger - SO cord wired thru hook

CORD, HOOK/LOOP & 20A PLUG W/ QUICK-ON® HANGER -
SO CORD W/ PLUG WIRED THRU HOOK

LENGTH	X=	120V	208V	240V	277V	480V	347V
-C4HLP (X)	4'	1	2	3	4	5	C
-C6HLP (X)	6'	1	2	3	4	5	C
-C8HLP (X)	8'	1	2	3	4	5	C
-C10HLP (X)	10'	1	2	3	4	5	C
-C12HLP (X)	12'	1	2	3	4	5	C

CORD, HOOK/LOOP & 15A PLUG W/ QUICK-ON® HANGER -
SO CORD W/ PLUG WIRED THRU HOOK

LENGTH	X=	120V	208V	240V	277V	480V	347V
-C4HLPX-15A	4'	1	2	3	4	5	C
-C6HLPX-15A	6'	1	2	3	4	5	C
-C8HLPX-15A	8'	1	2	3	4	5	C
-C10HLPX-15A	10'	1	2	3	4	5	C
-C12HLPX-15A	12'	1	2	3	4	5	C

-C4HLP1-15A	4' Cord, Hook/Loop & 15A 120V Plug w/ Quick-On® Hanger - SO cord w/ plug wired thru hook
-C6HLP1-15A	6' Cord, Hook/Loop & 15A 120V Plug w/ Quick-On® Hanger - SO cord w/ plug wired thru hook
-C8HLP1-15A	8' Cord, Hook/Loop & 15A 120V Plug w/ Quick-On® Hanger - SO cord w/ plug wired thru hook
-C10HLP1-15A	10' Cord, Hook/Loop & 15A 120V Plug w/ Quick-On® Hanger - SO cord w/ plug wired thru hook
-C12HLP1-15A	12' Cord, Hook/Loop & 15A 120V Plug w/ Quick-On® Hanger - SO cord w/ plug wired thru hook
-C4HLP4-15A	4' Cord, Hook/Loop & 15A 277V Plug w/ Quick-On® Hanger - SO cord w/ plug wired thru hook
-C6HLP4-15A	6' Cord, Hook/Loop & 15A 277V Plug w/ Quick-On® Hanger - SO cord w/ plug wired thru hook
-C8HLP4-15A	8' Cord, Hook/Loop & 15A 277V Plug w/ Quick-On® Hanger - SO cord w/ plug wired thru hook
-C10HLP4-15A	10' Cord, Hook/Loop & 15A 277V Plug w/ Quick-On® Hanger - SO cord w/ plug wired thru hook
-C12HLP4-15A	12' Cord, Hook/Loop & 15A 277V Plug w/ Quick-On® Hanger - SO cord w/ plug wired thru hook

CORD, HOOK/LOOP & 20A PLUG W/ SLICK-ON® HANGER -
SO CORD W/ PLUG WIRED THRU HOOK

LENGTH	X=	120V	208V	240V	277V	480V	347V
-C4HLPSO (X)	4'	1	2	3	4	5	C
-C6HLPSO (X)	6'	1	2	3	4	5	C
-C8HLPSO (X)	8'	1	2	3	4	5	C
-C10HLPSO (X)	10'	1	2	3	4	5	C
-C12HLPSO (X)	12'	1	2	3	4	5	C

Suffix	Description
-C4HLPSO1-15A	4' Cord, Hook/Loop & 15A 120V Plug w/ Slick-On® Hanger - SO cord w/ plug wired thru hook
-C6HLPSO1-15A	6' Cord, Hook/Loop & 15A 120V Plug w/ Slick-On® Hanger - SO cord w/ plug wired thru hook
-C8HLPSO1-15A	8' Cord, Hook/Loop & 15A 120V Plug w/ Slick-On® Hanger - SO cord w/ plug wired thru hook
-C10HLPSO1-15A	10' Cord, Hook/Loop & 15A 120V Plug w/ Slick-On® Hanger - SO cord w/ plug wired thru hook
-C12HLPSO1-15A	12' Cord, Hook/Loop & 15A 120V Plug w/ Slick-On® Hanger - SO cord w/ plug wired thru hook
-C4HLPSO4-15A	4' Cord, Hook/Loop & 15A 277V Plug w/ Slick-On® Hanger - SO cord w/ plug wired thru hook
-C6HLPSO4-15A	6' Cord, Hook/Loop & 15A 277V Plug w/ Slick-On® Hanger - SO cord w/ plug wired thru hook
-C8HLPSO4-15A	8' Cord, Hook/Loop & 15A 277V Plug w/ Slick-On® Hanger - SO cord w/ plug wired thru hook
-C10HLPSO4-15A	10' Cord, Hook/Loop & 15A 277V Plug w/ Slick-On® Hanger - SO cord w/ plug wired thru hook
-C12HLPSO4-15A	12' Cord, Hook/Loop & 15A 277V Plug w/ Slick-On® Hanger - SO cord w/ plug wired thru hook

CORD, HOOK/LOOP & 20A PLUG W/ SLICK-ON® HANGER -
SINGLE FUSE (incl.) SO CORD W/ PLUG WIRED THRU HOOK

LENGTH	X3=	120V	277V	347V
-C4HLPSOF (X3)	4'	1	4	C
-C6HLPSOF (X3)	6'	1	4	C
-C8HLPSOF (X3)	8'	1	4	C
-C10HLPSOF (X3)	10'	1	4	C
-C12HLPSOF (X3)	12'	1	4	C

CORD, HOOK/LOOP & 20A PLUG W/ SLICK-ON® HANGER -
DOUBLE FUSE (incl.) SO CORD W/ PLUG WIRED THRU HOOK

LENGTH	X4=	208V	240V	480V
-C4HLPSOFF (X4)	4'	2	3	5
-C6HLPSOFF (X4)	6'	2	3	5
-C8HLPSOFF (X4)	8'	2	3	5
-C10HLPSOFF (X4)	10'	2	3	5
-C12HLPSOFF (X4)	12'	2	3	5

-C4HLSO	4' Cord & Hook/Loop w/ Slick-On® Hanger - SO cord wired thru hook
-C6HLSO	6' Cord & Hook/Loop w/ Slick-On® Hanger - SO cord wired thru hook
-C8HLSO	8' Cord & Hook/Loop w/ Slick-On® Hanger - SO cord wired thru hook
-C10HLSO	10' Cord & Hook/Loop w/ Slick-On® Hanger - SO cord wired thru hook
-C12HLSO	12' Cord & Hook/Loop w/ Slick-On® Hanger - SO cord wired thru hook

Suffix	Description						
	CORD, HOOK/LOOP W/ SLICK-ON® HANGER - SINGLE FUSE (incl.) SO CORD W/ PLUG WIRED THRU HOOK						
	LENGTH	X2=	120V	277V	347V		
-C4HLSOF (X2)	4'		1	4	C		
-C6HLSOF (X2)	6'		1	4	C		
-C8HLSOF (X2)	8'		1	4	C		
-C10HLSOF (X2)	10'		1	4	C		
-C12HLSOF (X2)	12'		1	4	C		
	CORD, HOOK/LOOP W/ SLICK-ON® HANGER - DOUBLE FUSE (incl.) SO CORD W/ PLUG WIRED THRU HOOK						
	LENGTH	X3=	208V	240V	480V		
-C4HLSOFF (X3)	4'		2	3	5		
-C6HLSOFF (X3)	6'		2	3	5		
-C8HLSOFF (X3)	8'		2	3	5		
-C10HLSOFF (X3)	10'		2	3	5		
-C12HLSOFF (X3)	12'		2	3	5		
	DEAD FRONT DISCONNECT - incl. CORD, LOOP & DEAD FRONT DISCONNECT PLUG W/ QUICK-ON® HANGER - 15" SO cord factory wired to fixture; order w/ PHS-XXXL (see mounting access.)						
	X1=	120V	208V	240V	277V	480V	347V
-DFP (X1)		1	2	3	4	5	F
	DEAD FRONT DISCONNECT W/ SINGLE FUSE - incl. CORD, LOOP & DEAD FRONT DISCONNECT PLUG PLUS SINGLE FUSE BLOCK (fuse incl.) W/ QUICK-ON® HANGER - 15" SO cord factory wired to fixture; order w/ PHS-XXXL (see mounting access.)						
	X3=	120V	277V	347V			
-DFPF (X3)		1	4	F			
	DEAD FRONT DISCONNECT W/ DOUBLE FUSE - incl. CORD, LOOP & DEAD FRONT DISCONNECT PLUG PLUS DOUBLE FUSE BLOCK (fuse incl.) W/ QUICK-ON® HANGER - 15" SO cord factory wired to fixture; order w/ PHS-XXXL (see mounting access.)						
	X4=	208V	240V	480V			
-DFPFF (X4)		2	3	5			
	DEAD FRONT DISCONNECT - incl. CORD, LOOP & DEAD FRONT DISCONNECT PLUG W/ SLICK-ON® HANGER - 15" SO cord factory wired to fixture; order w/ PHS-XXXL (see mounting access.)						
	X1=	120V	208V	240V	277V	480V	347V
-DFPSO (X1)		1	2	3	4	5	F
	DEAD FRONT DISCONNECT W/ SINGLE FUSE - incl. CORD, LOOP & DEAD FRONT DISCONNECT PLUG PLUS SINGLE FUSE BLOCK (fuse incl.) W/ SLICK-ON® HANGER - 15" SO cord factory wired to fixture; order w/ PHS-XXXL (see mounting access.)						
	X3=	120V	277V	347V			
-DFPSOF (X3)		1	4	F			
	DEAD FRONT DISCONNECT W/ DOUBLE FUSE - incl. CORD, LOOP & DEAD FRONT DISCONNECT PLUG PLUS DOUBLE FUSE BLOCK (fuse incl.) W/ SLICK-ON® HANGER - 15" SO cord factory wired to fixture; order w/ PHS-XXXL (see mounting access.) (not for Canada)						
	X3=	208V	240V	480V			
-DFPSOFF (X3)		2	3	5			

Suffix	Description							
-EM	Emergency Circuit Complete w/ Slick-On® hanger - D.C. bayonet base, 120V quartz socket; for connection by customer to separate power supply							
	FLEXIBLE WIRE SYSTEM FIXTURE CORD (CANADA ONLY)							
	LENGTH	X1=	120V	208V	240V	277V	480V	347V
-FC3X1	3'		1	2	3	4	5	C
-FC6X1	6'		1	2	3	4	5	C
-GR	Gray Lektrocote® Finish on housing; replace -WH in catalog number							
-JP	Job Pack - master carton packaging of ballast housing to reduce corrugated waste disposal; for shipment to jobsite only							
-LRI'	Lower Luminaire Retainer - a snap-in cable on housing secures reflector to ballast housing							
-MMM	No Mounting Method - neither Slick-On® nor Quick-On® provided w/ luminaire. Mounting method must be ordered as an accessory; option used for applications requiring mounting method supplied in advance of luminaire							
-P	High Strength Polycarbonate Refractor							
-QSS	Quartz Standby System - ON when power is restored, OFF when HID lamp restrikes. Wattage of quartz lamp (not incl.) may not exceed wattage of HID lamp (250W max. recommended). Uses 120V DC bayonet base lamp. Factory wired.							
-QST	Quartz Standby with Time Delay - ON when power is restored, OFF when HID lamp restrikes and is warmed up. Wattage not to exceed wattage of HID lamp (250W max. recommended). Uses 120V DC bayonet base lamp. Factory wired.							
-SLD-1	Switch Level Dimming with 120V control							
-SLD-2	Switch Level Dimming with 24V control							
-SLD-3	Switch Level Dimming with 120 or 277V control (Direct Control)							
-SO	Slick-On® Thru Wire Outlet Box for 3/4" pendant or 1/2" or 3/4" side entry conduit							
	SLICK-ON® THRU WIRE OUTLET BOX, SINGLE FUSE (incl.) for 3/4" pendant or side entry conduit							
	X3=	120V	277V	347V				
-SOF (X3)		1	4	F				
	SLICK-ON® THRU WIRE OUTLET BOX, DOUBLE FUSE (incl.) for 3/4" pendant or side entry conduit (not for Canada)							
	X4=	208V	240V	480V				
-SOFF (X4)		2	3	5				
-TRI(X)	Top Luminaire Retainer - chain secures ballast housing to structure when additional safety precautions are required. Shipped in housing carton. Specify length (X), recommended maximum slack is 3"							

¹ Luminaire retainers/safety cables reduce risk of equipment falling

NOTE: For specific applications, bottom enclosures may be required. For more information, please see specific lamp manufacturers' data and the NEMA white paper "Best Practices for Metal Halide Lighting Systems" posted on the NEMA web site (www.nema.org).

WARNING: Improper selection, installation, operation, servicing, removal, and disposal of lighting products may create serious hazardous including fires, explosions, shock, burns, cuts, impaired vision, falling objects, and environmental contamination. Reduce risks by using the guidance of licensed professionals throughout the product life cycle, and following individual product, component, and accessory safety instructions and labels.

We offer this in the interest of safety for our customers, who may not be aware of the potentially high risk involved in the misuse of these products.

ORDERING INFORMATION

ACCESSORIES

(order separately)

Catalog #	Description
B-LLR¹	Lower Luminaire Retainer - 2' cable secures reflector to ballast housing
B-TLR(6)¹	6' Top Luminaire Retainer - chain secures ballast housing to structure when additional safety precautions are required
B-TLR(10)¹	10' Top Luminaire Retainer - chain secures ballast housing to structure when additional safety precautions are required
B-TLR(12)¹	12' Top Luminaire Retainer - chain secures ballast housing to structure when additional safety precautions are required
B-TLR(16)¹	16' Top Luminaire Retainer - chain secures ballast housing to structure when additional safety precautions are required
BL-Q0	Quick-On $\frac{3}{4}$ " pendant mount
BL-SO	Slick-On Thru Wire Outlet Box for $\frac{3}{4}$ " pendant or $\frac{3}{4}$, $\frac{1}{2}$ side entry conduit
BL-SOF	Slick-On Single Fusing (fuse not incl.) thru wire outlet box for $\frac{3}{4}$ " pendant or $\frac{3}{4}$, $\frac{1}{2}$ side entry conduit mount with single fuse holder
BL-SOFF	Slick-On Double Fusing (fuses not incl.) thru wire outlet box for $\frac{3}{4}$ " pendant or $\frac{3}{4}$, $\frac{1}{2}$ side entry conduit mount with double fuse holder (not for Canada)
WG-29	29" Wireguard - corrosion resistant, welded steel w/ center lamp access

¹ Luminaire retainers/safety cables reduce risk of equipment falling.

² Bottom enclosures are required unless lamps designated as "suitable for open use" are used.

MOUNTING ACCESSORIES

(order separately)

PLUGS ARE TWIST-LOCK® TYPE AS MANUFACTURED BY HUBBELL WIRING DEVICES.

Catalog #	Description
BLA-C4HLP-1	4' Cord, Hook/Loop and 120V 20A Twist-Lock® Plug
BLA-C4HLP-4	4' Cord, Hook/Loop and 277V 20A Twist-Lock® Plug
BLA-C4HLP1-15A	4' Cord, Hook/Loop and 120V 15A Twist-Lock® Plug
BLA-C4HLP4-15A	4' Cord, Hook/Loop and 277V 15A Twist-Lock® Plug
HOOK/LOOP¹	Hook - cast aluminum $\frac{3}{4}$ " NPS male; includes safety screw; converts to Loop with strap included
H3/4AL3/4¹	Swivel Aligner - complete with box for thru wiring; all hubs tapped for $\frac{3}{4}$ " conduit - 25° swivel
PHE-XXX¹	Die Cast Aluminum Power Hook with 20A Twist-Lock® Receptacle - ceiling or $\frac{3}{4}$ " pendant mount, with $\frac{3}{4}$ " side entry for thru wiring 15" Cord, Hook/Loop & Twist-Lock® Plug (20 amp) included (for voltage replace XXX with 120, 208, 240, 277, 347, or 480)
PHE-XXX-L²	As above, except cord, loop & plug not included (for voltage replace XXX with 120, 208, 240, 277, 347, or 480)
PHS-XXX	Specification Grade Power Hook - 30" cord dead front plug & receptacle with isolated wiring chamber; ceiling or $\frac{3}{4}$ " pendant mount, with $\frac{3}{4}$ " side entry for thru wiring; special safety feature locks Hook/Loop onto bottom hook (for voltage replace XXX with 120, 208, 240, 277, 347, or 480)
PHS-XXX-L^{1,3}	Specification Grade Power Hook - dead front receptacle with isolated wiring chamber; ceiling or $\frac{3}{4}$ " pendant mount, with $\frac{3}{4}$ " side entry for thru wiring; Cord, Hook/Loop and Dead Front Plug not included, must be ordered with luminaire (for voltage replace XXX with 120, 208, 240, 277, 347, or 480)
SY3-XXX-2	Rugged Steel Power Hook with 20A Twist-Lock® Receptacle - pendant or surface mount, $\frac{3}{4}$ " thru wiring capability; 30" Cord, Hook/Loop and Plug (20 amp) included (for voltage replace XXX with 120, 208, 240, 277, 347, or 480)
SY3-XXX-L²	Porta-Hook includes integral mounting hook and 20A Twist-Lock® Receptacle; $\frac{3}{4}$ " knockouts on top and two sides; Cord, Hook/Loop and Plug (20 amp) not included (for voltage replace XXX with 120, 208, 240, 277, 347, or 480)

¹ CSA certified.

² Cord, Hook/Loop and Plug must be added to fixture as option, example: **-C2HLP4**.

³ Cord, Hook/Loop and Dead Front Plug must be added to fixture as option, example: **-DFP4**.

NOTE: Cord used with above accessories is 16/3 SOWA 105°C NEMA configurations.

Due to our continued efforts to improve our products, product specifications are subject to change without notice.



Industrial Lighting

Hubbell Industrial Lighting • 701 Millennium Boulevard • Greenville, SC 29607 • PHONE: 864-678-1000

For more information visit our web site: www.hubbellindustrial.com