

Cat. #		Approvals
Job	Type	

SPECIFICATIONS

Intended Use:

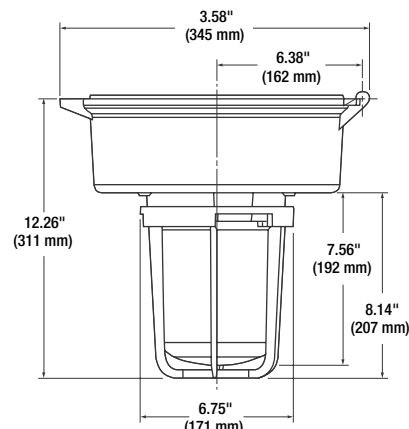
- For use in corrosive, wet and dirty industrial applications such as power generation, waste water and sewage treatment, pulp/paper or steel mills

Construction:

- Copper-free (<0.4%) aluminum housing, cover and guard with gray Lektrocote® powder polyester paint finish provides excellent corrosion resistance from most chemicals; Color is gray
- Modular design permits selection of cover, body, globe, guard and reflector for custom applications
- Cover selection of rigid and flexible pendant, ceiling, wall and 25° stanchion of varying threaded NPT entries
- Minimum starting temp of -20°F for PSMH and -40°F for HPS

Optics:

- Optic choices of impact-resistant glass globe, dome/angle fiberglass reinforced polyester reflector and 19" enclosed reflector, and polycarbonate enclosed lowbay; Unit shown with optional globe guard



LISTINGS

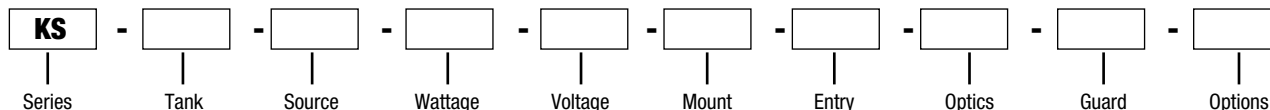
- Listed to UL1598 for use in wet locations; NEMA 4X with KG17 globe, 55°C ambient listed

**MORE DIMENSIONS
INSIDE & ON BACK**

**KSC Ballast Tank
5 1/2" Optics Globe or Reflector
KSAG17 Globe Guard**

ORDERING INFORMATION

ORDERING EXAMPLE: KS-D-H-40-0-A-2-GL-G-QA



SERIES

KS Kemlux® III KS

TANK

- A** Low wattage medium base 5"
- B** Low wattage medium base 8"
- C** Low wattage mogul base 5"
- D** Low wattage mogul base 8"
- E** High wattage mogul base 8"

SOURCE

- H¹** Metal Halide
- P** PSMH
- S** High Pressure Sodium

WATTAGE

- 05** 50w (HPS)
- 07** 70w (HPS, PSMH)
- 10** 100w (HPS, PSMH)
- 12** 125w (PSMH)
- 15** 150w (HPS, PSMH)
- 17** 175w (PSMH)
- 20** 200w (HPS, PSMH)
- 25** 250w (HPS, PSMH)
- 32** 320w (PSMH)
- 35** 350w (PSMH)
- 40** 400w (HPS, PSMH)

VOLTAGE (@ 60 Hz)

- 0** Quadri-Volt (120, 208, 240, 277V)
- 5** 480V
- 6** Tri-Tap Canada (120, 277, 347V)
- 7** 220V
- 8** 220/240V, 50 Hz

MOUNT

- A** Pendant
- B** Wall bracket
- C** Cone Top
- D** Stanchion 25°
- F** Flex pendant
- N¹** None (mount ordered separately)
- S** Stanchion straight 90°
- X** Ceiling

ENTRY (mounts available)

- 2** 3/4" NPT (A, B, C, X)
- 3** 1" NPT (A, B, C, X)
- 4** 1 1/4" NPT (D, S)
- 5** 1 1/2" NPT (D, S)
- 6** 3/4" NPT 5-hub (X)
- 7** 1" NPT 5-hub (X)
- N¹** None (mount ordered separately)

OPTICS

- GL** Globe
- ER** Enclosed reflector (KSD & KSE only)
- EP²** Polycarbonate shielded enclosed reflector (KSD & KSE only)
- S2⁴** Type II 12" spin-top reflector
- S8⁴** Type V 8" spin-top reflector (KSC & KSE only)
- S5⁴** Type V 12" spin-top reflector
- P5⁴** Type V Plastic spin-top reflector (KSC only)
- FG²** Tuffskin® coated globe
- TG²** Teflon® coated globe
- T1²** Teflon® coated globe Type I glass refractor

OPTICS con't

- T2^{3,4}** Teflon® coated globe Type II 12" spin-top refractor
- T3³** Teflon® coated globe Type III glass refractor (KSD only)
- T5³** Teflon® coated globe Type V glass refractor
- T8^{3,4}** Teflon® coated globe Type V 8" spin-top refractor (KSC only)
- TV^{3,4}** Teflon® coated globe Type V 12" spin-top refractor
- R1** Type I glass refractor
- R3** Type III glass refractor (KSD only)
- R5** Type V glass refractor

GUARD

- G** Globe guard
- N⁶** No guard

OPTIONS

- AD** Assembled fixture with DAT Dual-Arc-Tube lamp (250, 400W HPS only)
- AS** Assembled fixture with standard lamp
- BP** Ballast protector (250-400W HPS only)

1 **NN** mount ordered separately
 2 **Tuffskin®** is a registered trademark of Thomas Mfg. Corp
 3 **Teflon®** is a registered trademark of DuPont, Inc.
 4 Order guards for spin tops & KER40 separately
 5 Fusing not for Marine or Canadian installations
 6 Field connection to proper tap in case of multitap ballasts
 7 **QX** = Quick disconnect allows easy tank removal for maintenance; Electrician simply unplugs de-energized ballast from supply circuit
 8 Not for use with wall or straight (90°) stanchion
 9 Due to ESA standard, MH from 150w to 500w is only available outside of the USA

OPTIONS con't

- CS** Component pack with standard lamp
- CP** Component pack - no lamp
- F1⁵** Fusing - single 120V 60Hz
- F2⁵** Fusing - double 208V 60Hz
- F3⁵** Fusing - double 240V 60Hz
- F4⁵** Fusing - single 277V, 60Hz
- F5⁵** Fusing - double 480V, 60Hz
- F6⁵** Fusing - single 347V, 60Hz
- F7⁵** Fusing - double 220V, 60Hz
- F8⁵** Fusing - double 230V, 50Hz
- P1⁶** Photo cell 120V
- P2⁶** Photo cell 208-277V (must specify voltage on order)
- P3⁶** Photo cell 347V
- QA** Quartz auxiliary
- Q1⁷** Quick disconnect wired at ballast to 120V
- Q2⁷** Quick disconnect wired at ballast to 208V
- Q3⁷** Quick disconnect wired at ballast to 240V
- Q4⁷** Quick disconnect wired at ballast to 277V
- Q5⁷** Quick disconnect wired at ballast to 480V
- Q6⁷** Quick disconnect wired at ballast to 347V
- Q7⁷** Quick disconnect wired at ballast to 220V
- Q8⁷** Quick disconnect wired at ballast to 230V
- TB** Terminal blocks

ORDERING INFORMATION

KS ACCESSORIES

(order as separate part #)

Catalog Number	Description	Weight lbs (kg)
K-SC6	6' Safety chain (large housing only)	1 (0.5)

PHOTOCONTROL FOR STANDARD AND HAZARDOUS CLASS I DIVISION 2¹

Catalog Number	Volts	Frequency	Watts
HUB2PC120	120VAC	50/60 Hz	400
HUB2PC277¹	277VAC	50/60 Hz	400
HUB2PC347	347VAC	50/60 Hz	400

¹ Marked 220-277V, suitable for 208V NOTE: Patent Pending

KEMLUX III MOUNTING SPLICE BOXES

Hub Size	Catalog Number							
	Pendant	Flexible Pendant	Ceiling 4-Hub	Ceiling 5-Hub	Wall	Cone Top	25° Stanchion	90° Stanchion
3/4"	KSA2B	KSF2B	KSX2B	KSX6B	KSB2B	KSC2B	-	-
1"	KSA3B	KSF3B	KSX3B	KSX7B	KSB3B	KSC3B	-	-
1 1/4"	-	-	-	-	-	-	KSD4B	KSS4B
1 1/2"	-	-	-	-	-	-	KSD5B	KSS5B
M-20	-	-	KSX8B	KSX9B	-	-	-	-

KEMLUX III 50-600W BALLAST TANK ASSEMBLIES

Watts	Catalog Number									
	High Pressure Sodium					Pulse Start Metal Halide				
	Low Wattage Medium		Low Wattage Mogul			Low Wattage Medium		Low Wattage Mogul		
	5 1/2"	7 3/4"	5 1/2"	7 3/4"	7 3/4"	5 1/2"	7 3/4"	5 1/2"	7 3/4"	7 3/4"
50	KSAS05X	KSBS05X	KSCS05X	KSDS05X	-	KSAH05X	KSBH05X	-	-	-
70	KSAS07X	KSBS07X	KSCS07X	KSDS07X	-	KSAH07X	KSBH07X	KSCH07X	KSDH07X	-
105	KSAS10X	KSBS10X	KSCS10X	KSDS10X	-	KSAH10X	KSBH10X	KSCH10X	KSDH10X	-
150	KSAS15X	KSBS15X	KSCS15X	KSDS15X	-	KSAP15X	KSBP15X	KSCP15X	KSDP15X	-
175	-	-	-	-	-	-	-	KSCP17X	KSDP17X	-
200	-	-	-	-	KSES20X	-	-	KSCP20X	KSDP20X	-
250	-	-	-	-	KSES25X	-	-	-	-	KSEP25X
320	-	-	-	-	-	-	-	-	-	KSEP32X
350	-	-	-	-	-	-	-	-	-	KSEP35X
400	-	-	-	-	KSES40X	-	-	-	-	KSEP40X

NOTE: Replace X with voltage: 0 = Quad-Tap[®], 6 = TriTap, 5 = 480V

OPTICS

GL	R5 R1S	S8	S5 S2	GL	R5 R3 R1	GL	ER	S5 S2	EP
									
KG17	KR171 KR175	KZRG1550	KRZG2550 KRZG2520	KG25	KHR255 KHR253 KHR251	KG40	KER40	KRZG4050 KRZG4020	KEP40
GUARDS									
	KSAG17²	KRWG8⁴	KRWG⁴	KAG25³	KAG40³	KER³	KRWG⁴	WG-23	

REFLECTORS

				
KPSD40 Standard Dome Fiberglass White Reflector Dia: 16"	KPA40 Angle Fiberglass White Reflector Dia: 16"	HRD400 Deep Aluminum White Reflector Dia: 21"	HRD400ALZ Deep Aluminum Anodized Finish Reflector Dia: 21"	KAGBC Bottom Enclosure for KAG25S/SAG40S

¹ KHC 12" spin tops ship with a mogul-to-mogul extender for improved photometrics

² Standard material: copper-free aluminum painted

³ Standard material: 316 stainless steel

⁴ Standard material: stainless steel

ORDERING INFORMATION

SUSPENSION DEVICES

(order as separate part #)

Catalog Number	Tank	Description
KAG17SC	KSC	VMG17/VMR17X Support 18" stainless steel aircraft cable secures guard to tank to hold globe in guard (for lamp changing)
KGR25SCR	KSD	VMG25/VMR25X Support 24" stainless steel aircraft cable and ring for globes and refractors for lamp changing; ring clamps to special ears on optic cable, twists to attach or detach from housing

NOTE: KHC and KSC suspension device attaches to guard (required); KHD and KSD suspension device attaches to optic and can be used with or without guard

DARK SKY KITS

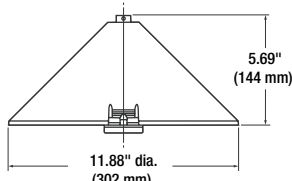
(order as separate part #)

Catalog No.	Description
KDARK1	Gasket kit: on KSD "Full Cut-off" when used w/ HRD400 or HRD400ALZ
KER40	Enclosed reflector: "Full Cut-off" on KSC & KSD

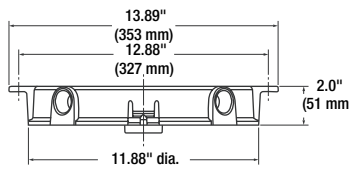
NOTE: Kemplux III luminaires may be configured for "Full Cut-off" or Semi-Cut-off photometric distribution; Local requirements dictate which parameter is required

DIMENSIONS

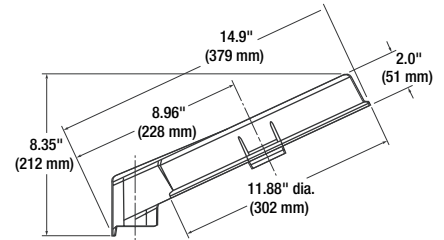
Mounting Adapters



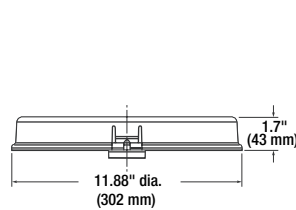
Cone Mount



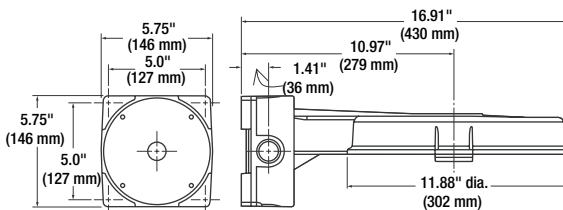
Ceiling Mount



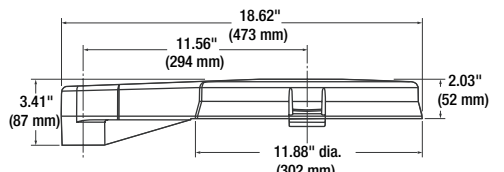
Stanchion (25°) Mount



Pendant Mount

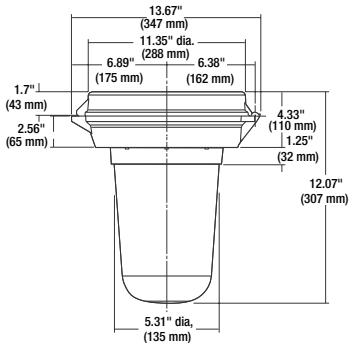


Wall Bracket Mount

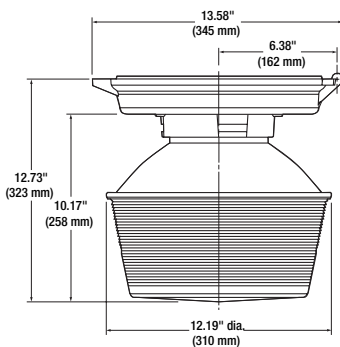


Stanchion (0°) Mount

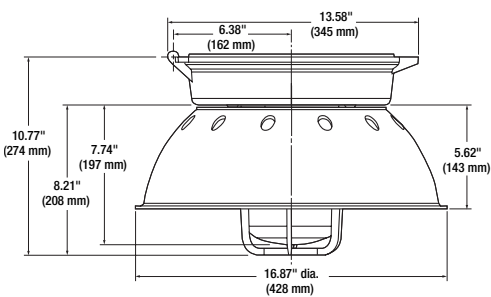
KSA Housing



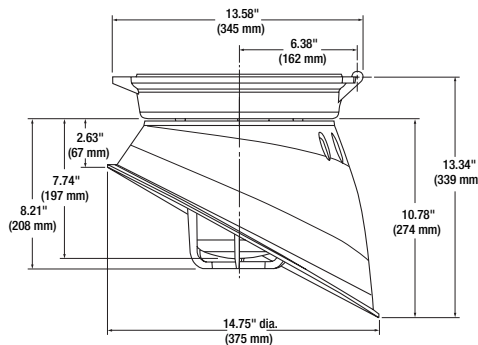
**KSA Ballast Tank
KG40 Globe**



**KSA Ballast Tank
KZRG 12" Spun Refractor**

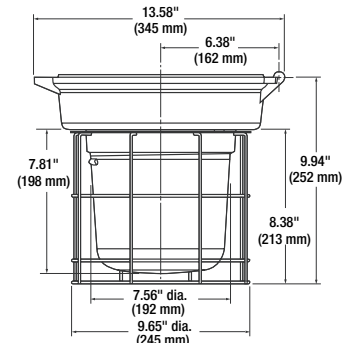


**KSA Ballast Tank
KG17 5 1/2" Optics Globe
KPSD40 Dome Reflector**

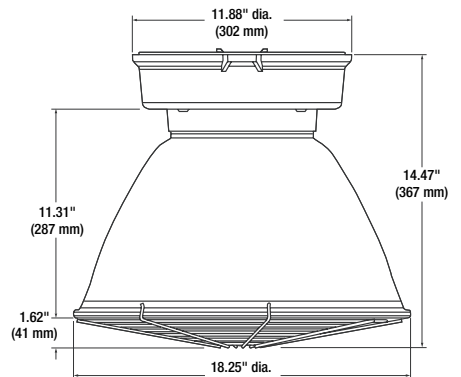


**KSA Ballast Tank
KPA40 Fiberglass White Reflector**

KSB Housing



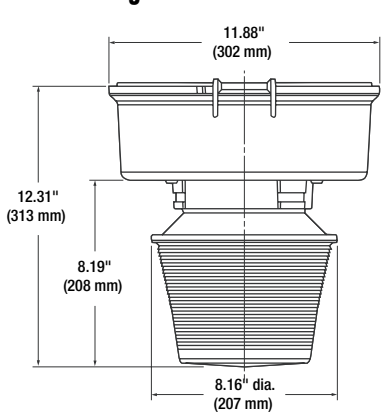
**KSB Ballast Tank
KG25 7 3/4" Optics Globe
KAG25S Wire Guard**



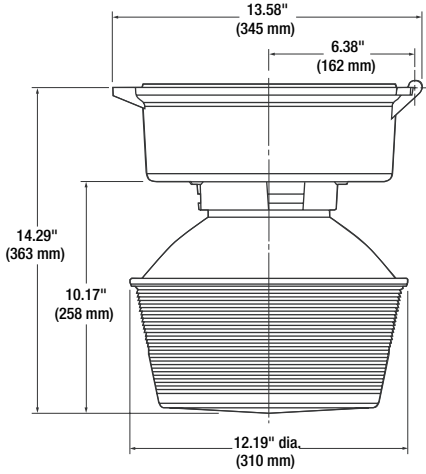
**KSB Ballast Tank
KER40 Enclosed Reflector
KERG Guard**

ORDERING INFORMATION

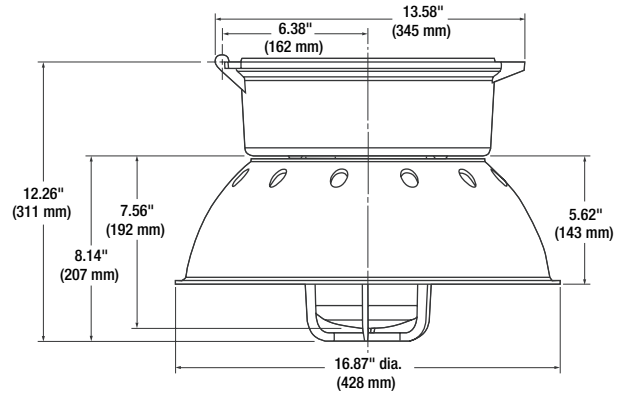
KSC Housing



**KSC Ballast Tank
KZRG1550 8" Spun Refractor**

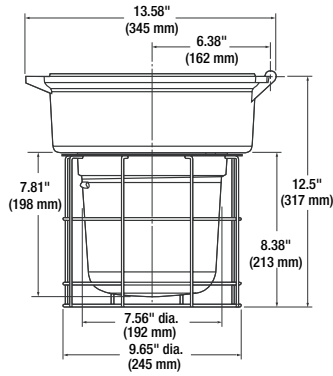


**KSC Ballast Tank
KZRG 12" Spun Refractor**

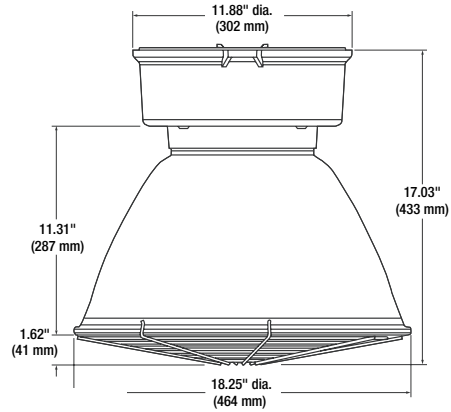


**KSC Ballast Tank
KG17 5 1/2" Optics Globe
KPSD40 Dome Reflector**

KSD Housing

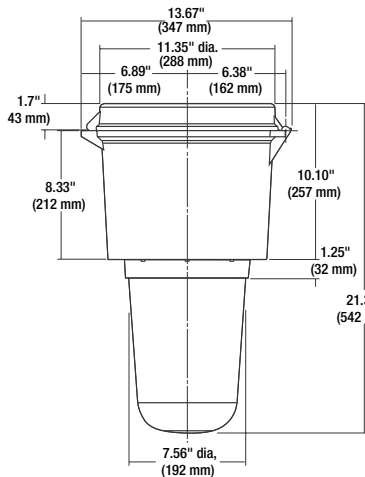


**KXD Ballast Tank
KG25 7 3/4" Optics Globe
or KR25 Refractor
KAG25S Wire Guard**

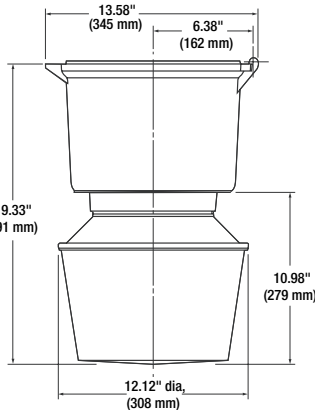


**KXD Ballast Tank
KER40 Enclosed Reflector
KERG Guard**

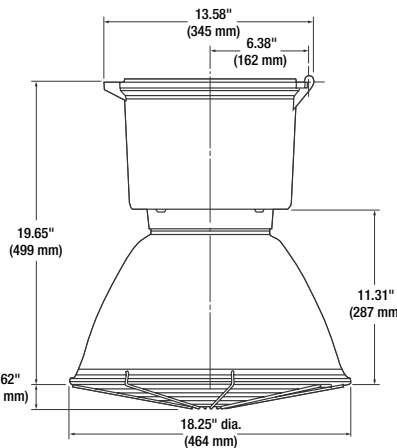
KSE Housing



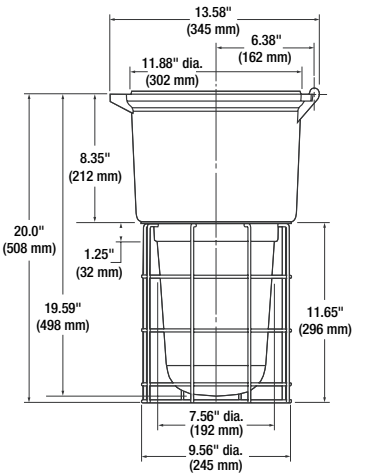
**KXE Ballast Tank
KG40 Optics Globe**



**KXE Ballast Tank
12" Spun Top Refractor Optics**



**KXE Ballast Tank
KER40 Enclosed Reflector
KERG Wire Guard**



**KXE Ballast Tank
KG40S Optics Globe
KAG40S Wire Guard**

Due to our continued efforts to improve our products, product specifications are subject to change without notice.



Industrial Lighting

Hubbell Industrial Lighting • 701 Millennium Boulevard • Greenville, SC 29607 • PHONE: 864-678-1000

For more information visit our web site: www.hubbell-ltg.com