

Cat. #		Approvals
Job	Type	

**APPLICATIONS**

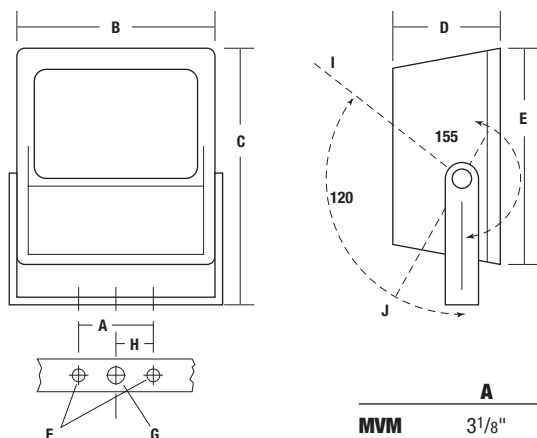
- For use in harsh, hazardous, marine, and corrosive environments such as petrochemical facilities, wastewater and sewage treatment plants, and salt water/corrosive environments.

**SPECIFICATIONS**

- Available up to 1000W HPS or MH, 1000W units include lamp.
- Restricted Breathing AExnR / ExnR ("RB" option) enables lower T-Ratings at higher wattages, refer to T-Rating table for availability.
- Elevated ambient "EA" option available for specific wattages.
- Removable Powr-Panl® ballast tray (up to 400W excluding "RB" option).
- Varying beam spreads utilizing vertical or horizontal lamp mounting.
- Housing and door frame are copper-free (<0.4%) aluminum.
- Lens is thermal shock, impact resistant.
- Trunnion is hot dipped galvanized steel.
- Hardware includes Hubbell Gard® screws.

**LISTINGS**

- UL844 Standard: Class I, Division 2 Groups A, B, C, D; Class I, Zone 2 Groups IIC, IIB, IIA.
- AExnR/ExnR Restricted Breathing.
- UL1598 and UL1598A Marine Outdoor.
- NEMA 3, 4X, IP66.



	A	B	C	D	E	F	G	H	I	J
<b>MVM</b>	3 1/8"	16 3/8"	25 1/2"	9"	17 7/8"	17/37"	7/8"	19/16"	12" R	8 5/8" R
	79 mm	416 mm	511 mm	229 mm	454 mm	13 mm	22 mm	40 mm	305 mm	219 mm

**ORDERING INFORMATION**

CATALOG						
NUMBER	PHOTOMETRY/NEMA/IES H" x V"	LAMP TYPE/WATTAGE	WEIGHT		EPA	
			lbs.	kg	ft <sup>2</sup>	m <sup>2</sup>
<b>VERTICAL LAMP</b>						
<b>MVH-0150S-26X<sup>1</sup></b>	7(144°) x 6(113°)	150W HPS	28	12.7	2.3	0.2
<b>MVH-0250S-26X<sup>1</sup></b>	7(144°) x 6(113°)	250W HPS	39	17.7	2.3	0.2
<b>MVH-0400S-26X<sup>1</sup></b>	7(144°) x 6(117°)	400W HPS	40	18.1	2.3	0.2
<b>MVH-1000S-26X<sup>2,1</sup></b>	6(130°) x 6(114°)	1000W HPS	55	24.9	2.3	0.2
<b>MVH-0175P-26X<sup>1</sup></b>	7(145°) x 6(114°)	175W MH	28	12.7	2.3	0.2
<b>MVH-0250P-26X<sup>1</sup></b>	7(145°) x 6(114°)	250W MH	30	13.6	2.3	0.2
<b>MVH-0320P-26X<sup>1</sup></b>	7(145°) x 6(114°)	320W HPS	30	13.6	2.3	0.2
<b>MVH-0400P-26X<sup>1</sup></b>	7(146°) x 6(119°)	400W MH	32	14.5	2.3	0.2
<b>MVH-1000H-26X<sup>2,1</sup></b>	6(118°) x 6(112°)	1000W MH	42	19.0	2.3	0.2
<b>HORIZONTAL LAMP</b>						
<b>MVH-0250S-23X<sup>1</sup></b>	5(73°) x 3(32°)	250W HPS	39	17.7	2.3	0.2
<b>MVH-0400S-23X<sup>1</sup></b>	5(73°) x 3(32°)	400W HPS	40	18.1	2.3	0.2
<b>MVH-0250P-23X<sup>3</sup></b>	3(45°) x 3(31°)	250W MH	30	13.6	2.3	0.2
<b>MVH-0320P-23X<sup>1</sup></b>	3(45°) x 3(31°)	320W HPS	30	13.6	2.3	0.2
<b>MVH-0400P-33X<sup>3</sup></b>	3(44°) x 3(37°)	400W MH	32	14.5	2.3	0.2

1 Replace X with voltage: 5=480V; 6=Tri-Tap® (120/277/347V); 8=Quad-Tap® (120/208/240/277V); E=220/240V 50Hz.  
2 1000W units include lamp as standard. MH lamp is MH 1000/U/BT37. HPS lamp is Catalog 1000S52/ED37 from Philips.  
NOTE: Order mounting accessories separately.

**OPTIONS**

(order as separate part #)

Catalog Number	Description
<b>F(X)</b>	Fusing: single 120/277/347V; double 208/240/480V; fuse included (specify voltage) <sup>1,2,3</sup>
<b>L</b>	Lamp Shipped Separately <sup>4</sup>
<b>RB</b>	Restricted Breathing allowing for lower T-Ratings; housing provided with test port entry; see T-Rating chart for availability
<b>EA</b>	Elevated Ambient Capability; consult factory

1 Replace X with voltage: 1=120V; 2=208V; 3=240V; 4=277V; 5=480V; 6=347V; E=220/240V 50Hz.  
2 Fused units do not carry UL 1598A Marine Outdoor listing.  
3 Not CSA certified with F option.  
4 1000W units include lamp as standard. MH lamp is MH 1000/U/BT37. HPS lamp is Catalog 1000S52/ED37 from Philips.

**HAZARDOUS LOCATION TEMPERATURE RATINGS**

WATTAGE	VERTICAL LAMP				HORIZONTAL LAMP				RESTRICTED BREATHING
	CLASS II, DIVISION 2 <sup>1</sup>		CLASS I, ZONE 2 <sup>1</sup>		CLASS I, DIV. 2 <sup>1</sup>		CLASS I, ZONE 2 <sup>1</sup>		OPTION
	MAX. OPER. TEMP. RATING	TEMP. CODE	MAX. OPER. TEMP. RATING	TEMP. CODE	MAX. OPER. TEMP. RATING	TEMP. CODE	MAX. OPER. TEMP. RATING	TEMP. CODE	ExnR, AExnR <sup>2</sup> TEMP. CODE
<b>HIGH PRESSURE SODIUM</b>									
<b>150W</b>	260	T2B	300	T2	450	T1	450	T1	T4
<b>250W</b>	325 <sup>3</sup>	–	450	T1	450	T1	450	T1	T3
<b>400W</b>	350 <sup>3</sup>	–	450	T1	450	T1	450	T1	T3
<b>1000W<sup>4</sup></b>	450	T1	450	T1	–	–	–	–	T2
<b>PULSE START METAL HALIDE</b>									
<b>250W</b>	325 <sup>3</sup>	–	450	T1	450	T1	450	T1	–
<b>400W</b>	325 <sup>3</sup>	–	450	T1	450	T1	450	T1	–
<b>1000W<sup>4</sup></b>	450	T1	450	T1	–	–	–	–	T2

<sup>1</sup> Lamp temperature data was obtained in 40°C ambient operating conditions.  
<sup>2</sup> Consult factory for elevated ambient capabilities.

<sup>3</sup> Represents actual maximum lamp temperature rating.  
<sup>4</sup> To maintain T-Ratings, aiming angle is limited to 35°-135° (Not straight down or straight up).

Due to our continued efforts to improve our products, product specifications are subject to change without notice.



Industrial Lighting

Hubbell Industrial Lighting • 701 Millennium Blvd • Greenville, SC 29607 • PHONE: 864-678-1000  
 For more information visit our web site: [www.hubbell-ltg.com](http://www.hubbell-ltg.com)