

Cat. #		Approvals
Job	Type	

APPLICATIONS

- For low to medium mounting height applications.

SPECIFICATIONS

- Maximizes both vertical and horizontal illumination.
- Refractor provides up to 95% efficiency with 27% uplight that softens the brightness difference between the fixture and the surrounding areas.
- Maximum downward candle power is at 55° from vertical for wide distribution and the lighting of vertical work surfaces.
- Available in Metal Halide, High Pressure Sodium and Pulse Start ballasts from 250 to 450 watts.
- Minimum 90°C supply conductors.

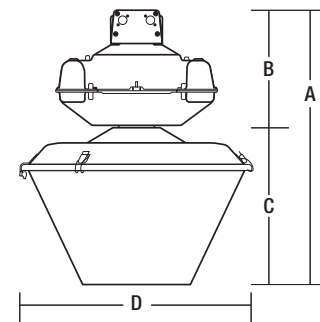
LISTINGS

- Up to 65°C ambient and UL wet location listed.



MAX AMBIENT TEMPERATURE CHART

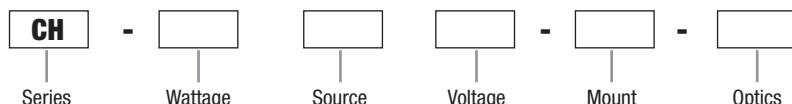
WATTAGE	SUPERWATT
250 HPS	65°C
400 HPS	55°C
250 PSMH	65°C
320 PSMH	50°C
350 PSMH	45°C
400 PSMH	40°C
450 PSMH	35°C



A	B	C	D
27 ⁵ / ₈ "	11 ⁷ / ₈ "	15 ³ / ₄ "	22 ¹ / ₂ "
702 mm	302 mm	400 mm	572 mm

ORDERING INFORMATION

ORDERING EXAMPLE: CH-25S1-D-SW



SERIES

CH Tribay

WATTAGE

25	250 watt Pulse Start MH or HPS
32	320 watt Pulse Start MH only (50°C)
35	350 watt Pulse Start MH only
40	400 watt Pulse Start MH or HPS
45	450 watt Pulse Start MH only

SOURCE

S	Standard CWA, AL, HPS
F	HPS, CWI (Canada)
D	MH, CWI (Canada)
P	Pulse Start Metal Halide

VOLTAGE

1	120V
2	208V
3	240V
4	277V
5	480V
6	Tri-Tap® 120/277/347V
6	600V
8	Quad-Tap® - 120/208/240/277V
E	220/240V 50Hz
F	347V

MOUNT

D	Quick Zone™ Electrical Disconnect - wiring box shipped with fixture
E	Quick Zone™ Electrical Disconnect - wiring box not shipped with fixture (order as accessory CH-Q)
L	Less Wiring Box (shipped as accessory CH-B)
M	With Wiring Box (standard const.)

OPTICS

SW	Superwatt® Optics
NC	No Optics, housing made for Superwatt®

- 1 Includes factory installed lamp.
- 2 Includes system optimized lamp. Electro-Reg shipped standard with factory installed premium lamp.
- 3 For cord length, replace first X with 2, 4, 6, 8, 10, or 12.
- 4 For voltage, replace second X with 1 - 120V, 2 - 277V, 3 - 240V, 4 - 277V, 5 - 480V, 6 - 347V.
- 5 For motion sensor and switch level interface panel accessories, see page 100.
- 6 SLD is not compatible with Electro-Reg.

ACCESSORIES

(order as separate part #)

Catalog Number	Description
CH-B	Wiring box w/ no electrical disconnect
CH-Q	Wiring box w/ electrical disconnect
CH-TLR(X)5	Top Luminaire Retainer - for field installation
CH-F	Single Fuse Kit - 120, 277, 347V (fuses not included)
CH-FF	Double Fuse Kit - 208, 240, 480V (fuses not included) (not suitable in Canada)

OPTIONS FOR TRIBAY SERIES

Factory installed — order with fixture by adding suffix

Suffix	Description
-AN	Anodized Housing/Reflector
-CFB	Charcoal Filter Breather (for enclosed reflectors only)
-C4HL	4' Cord, Hook/Loop - SO cord wired thru hook
-C6HL	6' Cord, Hook/Loop - SO cord wired thru hook
-C8HL	8' Cord, Hook/Loop - SO cord wired thru hook
-C10HL	10' Cord, Hook/Loop - SO cord wired thru hook
-C12HL	12' Cord, Hook/Loop - SO cord wired thru hook

CORD, HOOK/LOOP & 20A PLUG - SO CORD W/ PLUG WIRED THRU HOOK

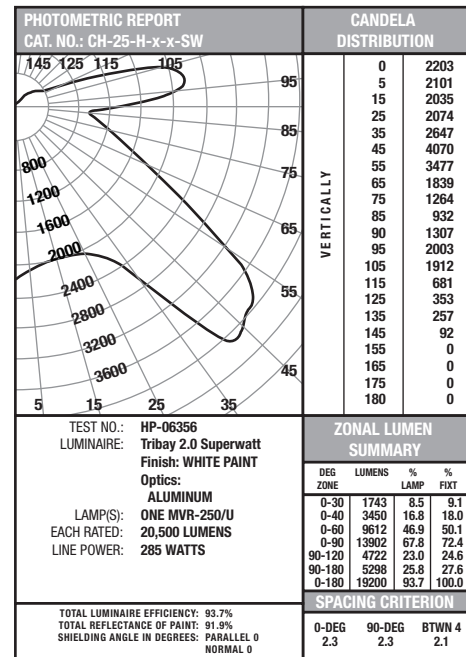
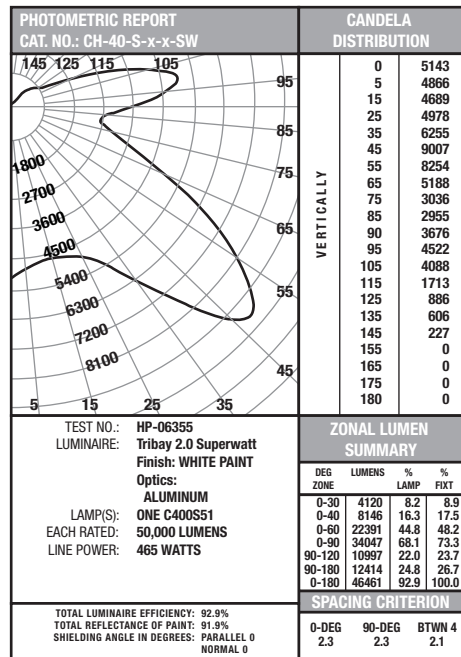
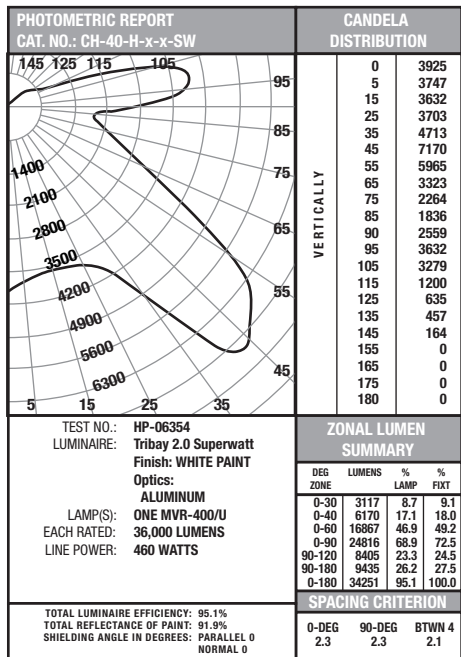
	LENGTH	X=	120V	208V	240V	277V	480V	347V
-C4HLP (X)	4'		1	2	3	4	5	C
-C6HLP (X)	6'		1	2	3	4	5	C
-C8HLP (X)	8'		1	2	3	4	5	C
-C10HLP (X)	10'		1	2	3	4	5	C
-C12HLP (X)	12'		1	2	3	4	5	C

CORD, HOOK/LOOP & 15A 120V PLUG - SO CORD W/ PLUG WIRED THRU HOOK

	LENGTH	X=	120V	208V	240V	277V	480V	347V
-C4HLPX-15A	4'		1	2	3	4	5	C
-C6HLPX-15A	6'		1	2	3	4	5	C
-C8HLPX-15A	8'		1	2	3	4	5	C
-C10HLPX-15A	10'		1	2	3	4	5	C
-C12HLPX-15A	12'		1	2	3	4	5	C

Suffix	Description
-DS	Intelligent Ignitor External Replacement Ignitor
-EB	Encapsulated Ballast (for quiet operation)
-EM	Emergency Quartz Lamp Socket
-EX	Exclusionary Mogul Socket
-F1	Fusing 120 volt
-F2	Fusing 208 volt (not for Canada)
-F3	Fusing 240 volt (not for Canada)
-F4	Fusing 277 volt
-F5	Fusing 480 volt (not for Canada)
-FF	Fusing 347 volt
-FF	Fusing 347 volt
-LL	Shipped Less Lamp (250, 350, 400 watt MH Electro-Reg® and 600 watt HPS only)
-LRI	Lower Luminaire Retainer (installed)
-PC	Polycarbonate Refractor (LM only)
-QSS	Quartz Standby
-QST	Quartz Standby with time delay
-SLD-1	Switch Level Dimming with 120V control
-SLD-2	Switch Level Dimming with 24V control
-SLD-3	Switch Level Dimming with 277V control
-TRI(6)	6' Top Luminaire Retainer (installed)
-TRI(10)	10' Top Luminaire Retainer (installed)
-TRI(12)	12' Top Luminaire Retainer (installed)
-TRI(16)	16' Top Luminaire Retainer (installed)

TRIBAY® SUPERWATT® For complete spacing-to-mounting height ratios, visit our web site at www.hubbell-ltg.com



COEFFICIENTS OF UTILIZATION - ZONAL CAVITY METHOD
EFFECTIVE FLOOR CAVITY REFLECTANCE 0.20

RC	80	70	50	30	10	0		
RW	70	50	30	10	50	30	10	0
0	107	107	107	101	101	101	91	91
1	95	90	85	81	76	73	70	69
2	86	78	71	65	61	57	51	49
3	78	68	59	53	48	44	37	35
4	71	59	50	43	38	34	29	29
5	64	51	42	36	30	26	22	21
6	58	45	36	30	24	20	16	16
7	53	40	31	25	20	16	12	12
8	48	35	27	21	16	12	9	9
9	45	31	23	18	14	10	7	7
10	41	27	19	14	10	7	5	5

COEFFICIENTS OF UTILIZATION - ZONAL CAVITY METHOD
EFFECTIVE FLOOR CAVITY REFLECTANCE 0.20

RC	80	70	50	30	10	0		
RW	70	50	30	10	50	30	10	0
0	104	104	104	104	99	99	99	89
1	93	87	82	78	74	71	68	66
2	84	75	68	62	58	54	51	49
3	76	65	57	51	47	44	40	37
4	68	56	48	41	37	34	30	27
5	62	49	40	34	30	27	23	21
6	56	43	35	28	24	21	17	15
7	51	38	29	23	19	16	12	11
8	47	34	25	19	15	12	9	8
9	43	30	22	17	13	10	7	7
10	39	26	19	13	10	7	5	5

COEFFICIENTS OF UTILIZATION - ZONAL CAVITY METHOD
EFFECTIVE FLOOR CAVITY REFLECTANCE 0.20

RC	80	70	50	30	10	0		
RW	70	50	30	10	50	30	10	0
0	106	106	106	106	100	100	100	90
1	94	89	85	80	77	76	72	69
2	85	77	70	64	60	56	54	51
3	77	67	59	53	49	45	41	38
4	70	58	50	43	38	34	30	27
5	63	51	42	36	30	26	22	21
6	58	45	36	30	24	20	16	15
7	53	39	31	25	19	16	12	11
8	48	35	26	20	15	12	9	8
9	44	31	23	17	13	10	7	7
10	40	27	19	14	10	7	5	5

QUICK ESTIMATOR CH-SW

LAMP QTY-LU/LP INPUT WATTS	SC @2/@4 LLF TEST #	ROOM WIDTH -/- MOUNTING HEIGHT (above floor)	ILLUMINANCE (MAINTAINED) APPROXIMATE AREA PER LUMINAIRE (SQ. FT.) / APPROXIMATE WATTS PER SQ. FT. (w/Bist. Losses)				
			10 fc	20 fc	50 fc	75 fc	100 fc
			MS250/BU/PS 1 @ 23800 292	2.3/2.1 0.57 HP-06356	5 or more 2 1	1059 / 0.28 682 / 0.43 460 / 0.64	529 / 0.55 341 / 0.86 230 / 1.27
MS400/BU/PS 1 @ 44000 452	2.3/2.1 0.60 HP-06354	5 or more 2 1	1957 / 0.23 1287 / 0.35 875 / 0.52	978 / 0.46 644 / 0.70 438 / 1.03	391 / 1.15 257 / 1.76 175 / 2.58	261 / 1.73 172 / 2.63 117 / 3.87	196 / 2.31 129 / 3.51 88 / 5.16
MH400/U 1 @ 36000 458	2.3/2.1 0.57 HP-06354	5 or more 2 1	1532 / 0.30 1008 / 0.45 686 / 0.67	766 / 0.60 504 / 0.91 343 / 1.34	306 / 1.49 202 / 2.27 137 / 3.34	204 / 2.24 134 / 3.41 91 / 5.01	153 / 2.99 101 / 4.54 69 / 6.68

Due to our continued efforts to improve our products, product specifications are subject to change without notice.



Industrial Lighting

Hubbell Industrial Lighting • 701 Millennium Boulevard • Greenville, SC 29607 • PHONE: 864-678-1000
For more information visit our web site: www.hubbell-ltg.com