

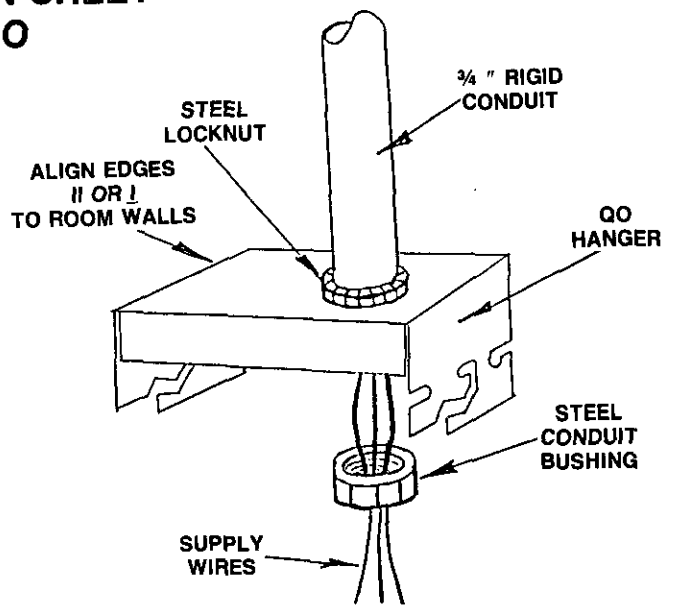
INSTRUCTION SHEET

BL - QO

ASSEMBLY INSTRUCTIONS FOR FIXTURE HANGERS

A. MOUNT QUICK-ON (QO) HANGER TO RIGID 3/4" CONDUIT

1. Thread 3/4" locknut onto conduit.
2. Place QO hanger up onto conduit with formed sides down.
3. Thread the 3/4" steel bushing up onto the conduit under the QO hanger to retain it in place.
4. Orient QO so that formed sides are parallel (||) or perpendicular (⊥) to the room walls.
5. Secure assembly tightly by jamming upper locknut down onto QO hanger top.
6. Pull two supply leads and ground. Extend them 4-6" past conduit bushing.



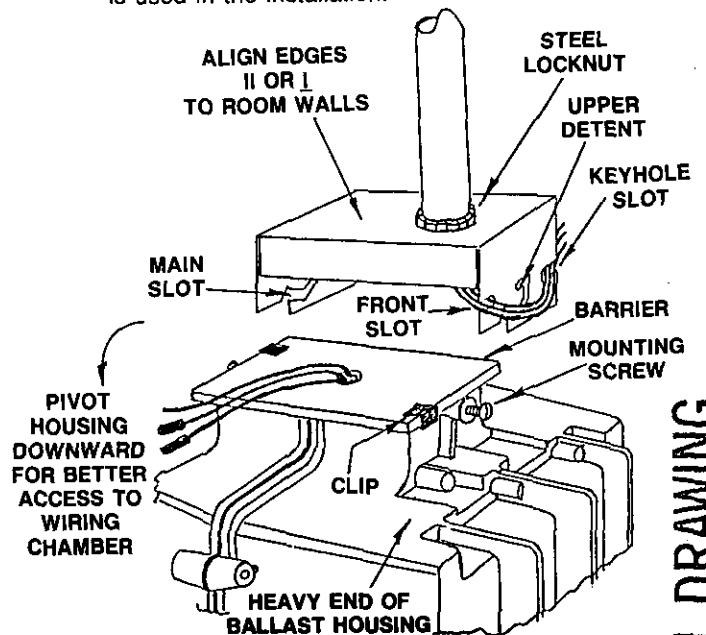
FIXTURE HANGING INSTRUCTIONS

MOUNT BALLAST HOUSING TO INSTALLED QUICK-ON (QO) FIXTURE HANGER

1. Gather supply wires from QO hanger and pull them into the slot provided on the right side of the hanger bracket. Secure these wires out of the way by bending them back into the back keyhole slot also provided on the right side.
2. Back off both screws in the top of the ballast housing, about four (4) turns.
3. Lay all of the voltage leads leading from the ballast housing over the left front side of the ballast flange. **NOTE: Ballast (heavy) end should be on right side.**
4. Lift the ballast housing up to QO hanger and insert the screws into the slot openings on the folded sides of the hanger. Slot openings should face toward the installer. Do not grasp housing by reflector brackets or HID lamp socket. Slide the housing forward until the supporting screws rest in the lower detent. **NOTE: The heavy side of the ballast housing should be on the right side underneath the conduit attachment point.**
5. Pivot housing away at the bottom to enlarge the gap for wire connections. Connect the proper voltage leads from the ballast housing corresponding to the supply voltage and the ground wire to the supply wires in a recognized N.E.C. manner. If the 277 volt ballast lead is not used, make sure it is capped off with a wirenut. **Do not remove wirenuts from unused ballast voltage leads.**
6. Pivot housing and carefully tuck the connected wires and the extra ballast wires back inside the QO hanger. Keep the wires from being pinched by the front and back walls of the QO hanger.
7. Slide the ballast housing forward end upward tracing the vertical slot(s) and then back across the upper horizontal slot(s) towards the installer until it rests in

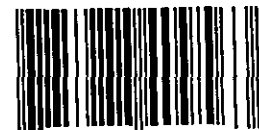
the upper detent(s). Simply use both hands and place thumbs on QO hanger and fingers on the ballast housing fins. Squeeze to slide housing along the upper horizontal slot and into the upper detent(s). Make sure no wires are pinched or trapped because they will prevent final positioning.

8. **Tighten both supporting screws to secure housing.**
9. **Retighten upper locknut if QO was loosened during ballast housing installation.**
10. Notice that the conduit mounting hole location is offset towards the heavier ballast side. Although optimized for various ballast wattage and sizes, differences in ballast weights can result in a slight tilting of the fixture if a swiveling or hook hung conduit connection is used in the installation.



268-0674-9801

BL-CO



Hubbell Lighting, Inc.
 A Subsidiary of Hubbell Incorporated
 2000 Electric Way
 Christiansburg, VA 24073-2500
 (540) 382-6111
 FAX (540) 382-1526

ORIGINAL DRAWING

ORIGINAL DRAWING