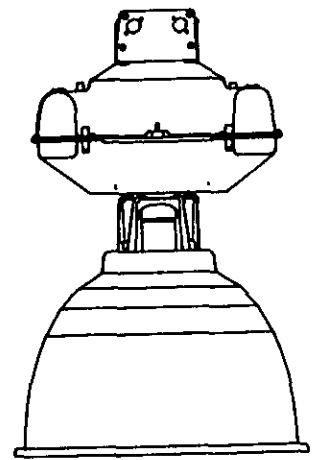
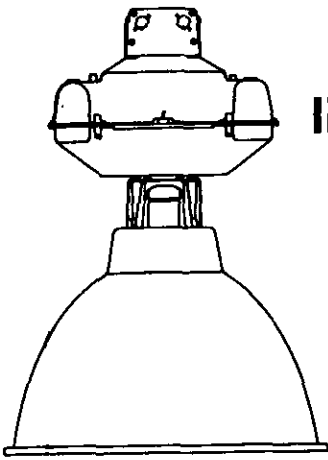




INSTALLATION INSTRUCTIONS FOR TRIBAY SERIES REFLECTOR SECTION ASSEMBLY SUPERBAY 2.0



SEE WARNINGS ON CARTON

WARNINGS

- Install, operate, and maintain to meet all applicable codes.
- Handle and secure so reflector cannot fall.
- Lamp wattage and type installed must match that specified on the fixture label.
- Do not use open reflectors with lamps that require enclosures.

REFLECTOR MOUNTING - FIGURES 1 AND 2

1. Back off four screws (1) on the socket casting legs (2). Do not remove.
2. Align keyhole slots (3) in reflector top over those screws. Rotate reflector to engage slots.
3. Tighten screws to uniformly compress gasket (4), if provided, and secure reflector.
4. Install HID lamp in socket (5).

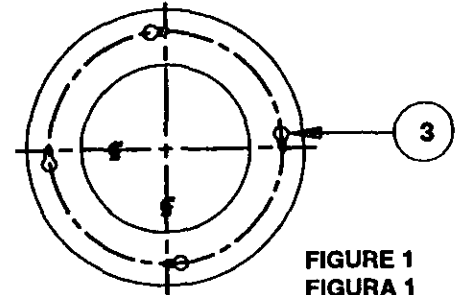


FIGURE 1
FIGURA 1

QUARTZ STANDBY BRACKET MOUNTING - FIGURE 2

1. Slide small cutout in side of the bracket (6) under closest reflector mounting screw. Tighten screw.
2. Remove slack in socket wires (7).
3. Install a 120V, 150W double contact bayonet base quartz incandescent lamp in auxiliary socket (8). Use cat. no. Q150CL/DC or ANSI #ETC-120V. Wipe off lamp after installing.

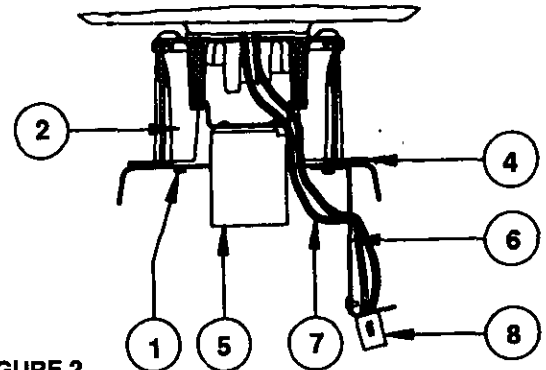


FIGURE 2
FIGURA 2

CHARCOAL FILTER BREATHER MOUNTING - FIGURE 3

1. Place rubber washer (9) over threaded end of CFB body (10).
2. Insert through hole in reflector.
3. Thread locknut (11) over CFB body. Tighten to secure.
4. Thread cover (12) over CFB body and orient downward.

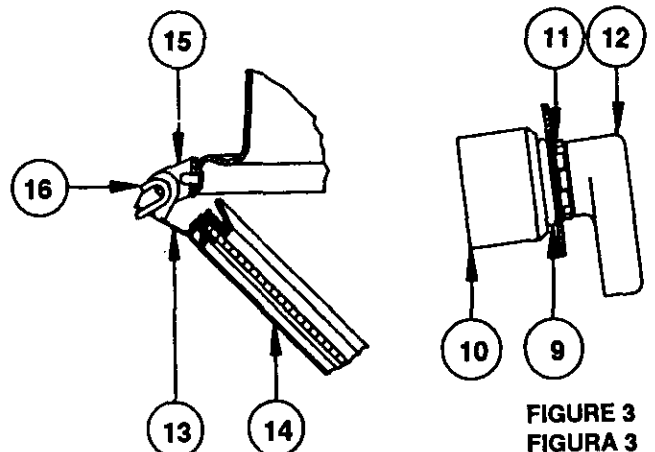


FIGURE 3
FIGURA 3

GLASS LENS ASSEMBLY MOUNTING - FIGURE 4

1. Align bracket extension (13) on lens ring (14) over the hinge bracket (15) attached to reflector flange.
2. Insert diaphragm pin hinge (16) through aligned holes and clasp pin to secure.
3. Rotate lens ring into reflector bottom.
4. Snap spring clamps over reflector flange to secure lens ring in place.

FIGURE 4
FIGURA 4



Hubbell Lighting, Inc.
A Subsidiary of Hubbell Incorporated
2000 Electric Way
Christiansburg, VA 24073-2500
(703) 382-6111
FAX (703) 382-1526

268-0907-9901

ORIGINAL DRAWING

ORIGINAL DRAWING