

SUPPLEMENTAL INSTALLATION INSTRUCTIONS FOR WIRE GUARD WG-23 FOR USE ON HG-22 GLASS REFLECTOR

WARNING:

Handle and secure so guard cannot fall.

GENERAL INSTRUCTION: (Figure 1)

1. Install two screws (1) and nuts (2) through holes in bent out part on guard as shown.
2. Loosen nut to end of screw to spread guard apart for installation.
3. Open bottom reflectors can be relamped without removing wire guard.
4. Wire guard must be removed for relamping when a lens assembly is installed on bottom of the reflector.

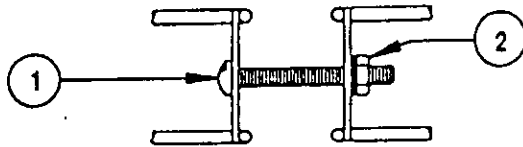
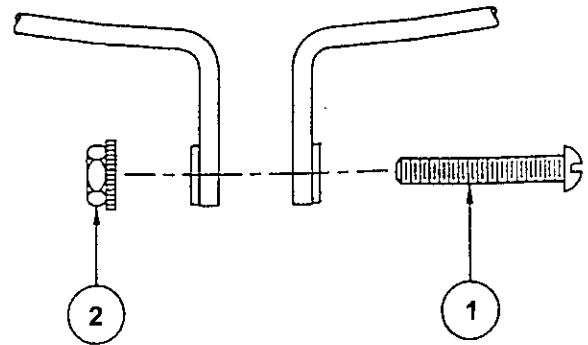
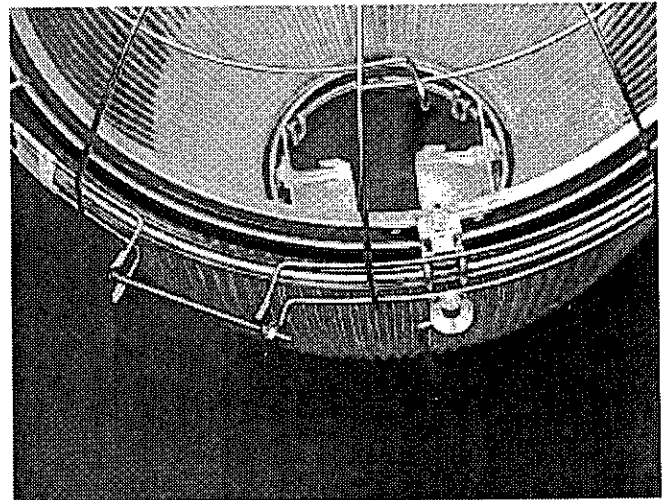
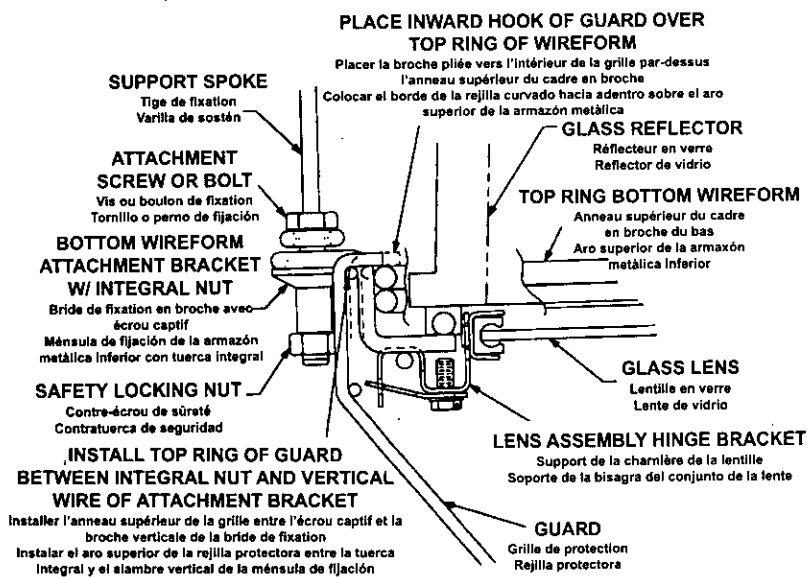


FIGURE 1



FOR USE ON HG-22 GLASS REFLECTORS WITH OR WITHOUT BOTTOM GLASS LENS:

1. Orient the guard clamping parts as shown in the picture for best connection.
2. Spread and slip guard onto the bottom wire frame that supports the glass reflector. Top ring of guard to be placed between the supporting screw and nut combination and the wire attachment bracket (3 places) as shown in the detail drawing.
3. Place inward facing hooked tops of the guard over the top ring of wire frame as shown in the detail drawing.
4. Tighten both screws (1) and nuts (2) as shown in figure 1 to clamp guard to wire frame of the glass reflector assembly.
5. Test for security.



**BEST RELATIONSHIP BETWEEN WIRE GUARD CLAMPING
PART AND HINGE BRACKET SUPPORT ON BOTTOM
WIREFORM**

Meilleur Agencement Des Pièces De Fixation De La Grille Protectrice
Et Des Supports De Charnière Sur Le Cadre En Broche Du Bas
La Mejor Relación Entre La Pieza De Sostén De La Rejilla Protectora Y
El Soporte De La Bisagra En La Armazón Metálica Inferior



Hubbell Lighting, Inc.
A Subsidiary of Hubbell Incorporated
2000 Electric Way
Christiansburg, VA 24073-2500
(540) 382-6111
FAX (540) 382-1526

268-1245-9901